



ESTB. 1978

WATERWORKS

SERVICE PARTS

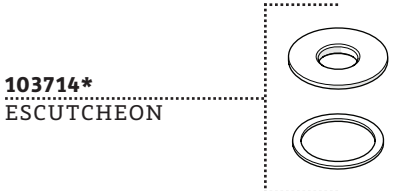
STYLES: HNKM20, HNKM30

*FINISH/COLOR MUST BE SPECIFIED WHEN ORDERING
++SUPPLIED AS A PAIR

DOCUMENT: SPHN26_REV02



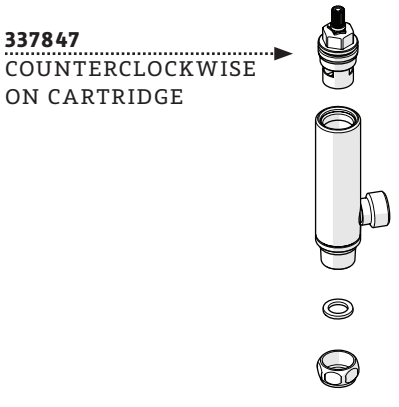
103717*
CROSS HANDLE



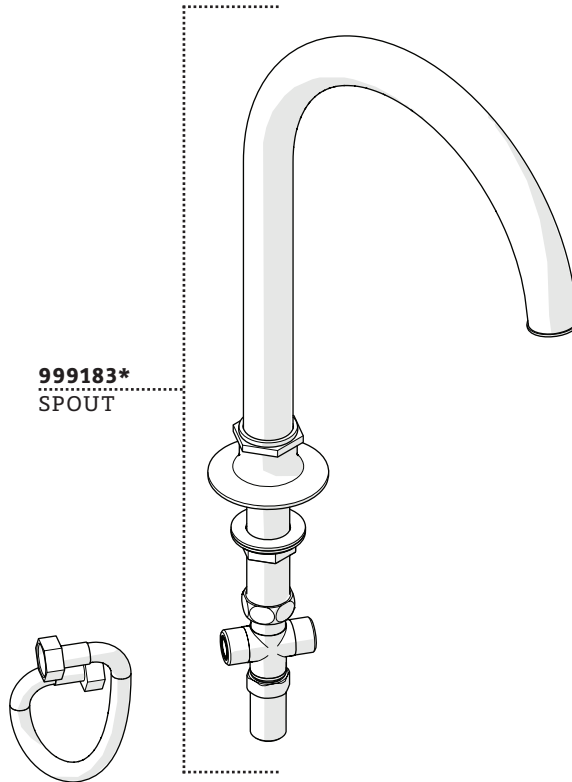
103714*
ESCUTCHEON



103471
MOUNTING
HARDWARE



337847
COUNTERCLOCKWISE
ON CARTRIDGE

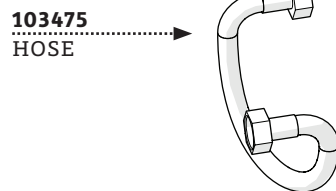


999183*
SPOUT

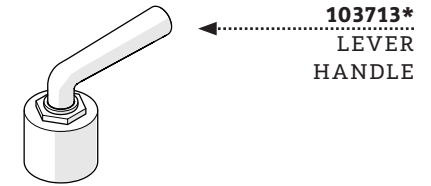


103474
COUNTERCLOCKWISE
ON SIDEBODY

103474
COUNTERCLOCKWISE
ON SIDEBODY
103504
CLOCKWISE ON
SIDEBODY
[LEVER HANDLE ONLY]



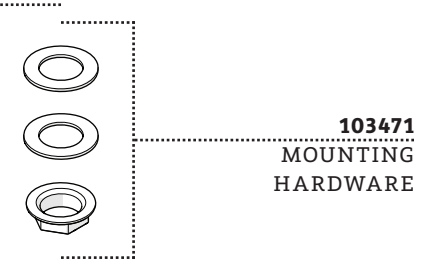
103475
HOSE



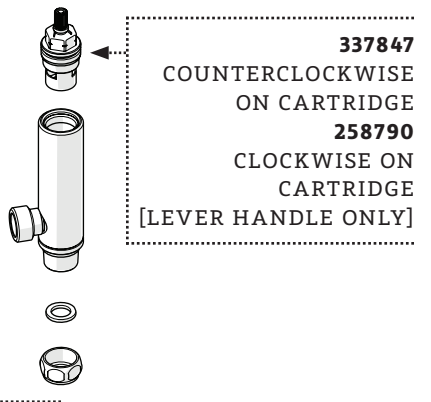
103713*
LEVER
HANDLE



103714*
ESCUTCHEON



103471
MOUNTING
HARDWARE



337847
COUNTERCLOCKWISE
ON CARTRIDGE
258790
CLOCKWISE ON
CARTRIDGE
[LEVER HANDLE ONLY]



ESTB. 1978

WATERWORKS

SERVICE PARTS

STYLES: HNKM20, HNKM30

*FINISH/COLOR MUST BE SPECIFIED WHEN ORDERING
++SUPPLIED AS A PAIR

DOCUMENT: SPHN26_REV02

