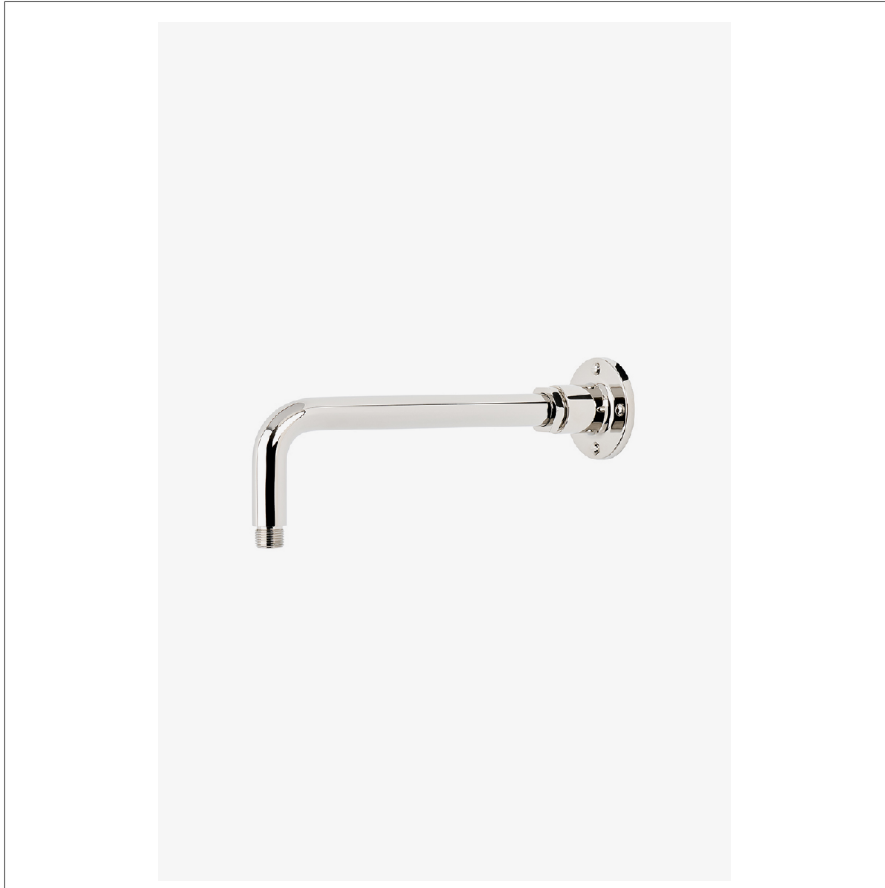


## REGULATOR

RGWH12

Regulator 12" Wall Mounted 90 Degree Shower Arm with Flange



SHOWN IN REGULATOR 12" WALL MOUNTED 90 DEGREE SHOWER ARM WITH FLANGE | RGWH12

### TECHNICAL DETAILS

Fittings Hole Diameter: 1 1/4"  
Inlet Connection Size: 1/2"  
Inlet Connection Type: Male NPT  
Outlet Connection Size: 1/2"  
Outlet Connection Type: Male NPT  
Water Pressure Recommended: 45.0 psi

### INSPIRATION

A play on industrial controls from the early 1900s, when pride was lavished on parts. Translated to handcrafted, fittings project rugged beauty through powerful, detailed shapes.

### CODES & STANDARDS

### PRODUCT FEATURES

Compatible with an assortment of Waterworks showerheads, sold separately

Brass Construction

Includes 12" wall mounted 90 degree shower arm

Stocked in Chrome, Nickel and Brass

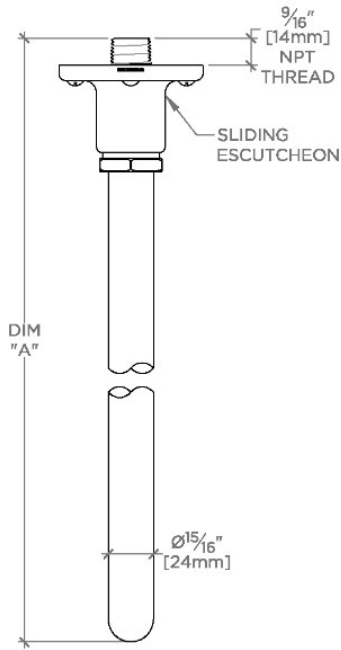
### CERTIFICATIONS

### PRODUCT (NOTES)

## REGULATOR

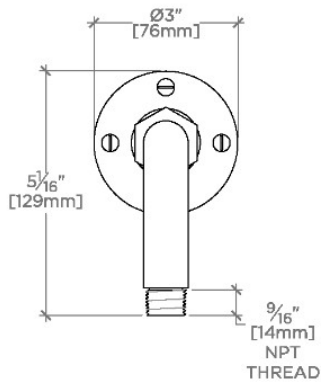
## RGWH12

Regulator 12" Wall Mounted 90 Degree Shower Arm with Flange

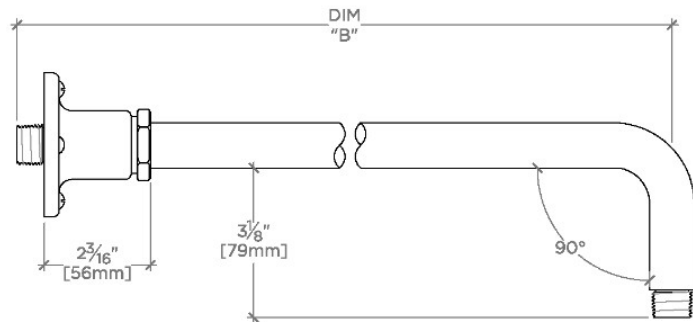


TOP VIEW SCALE: 3"=1'-0"

STYLE NO.	DIM "A"	DIM "B"
RGWH12	$13\frac{1}{16}$ " [331mm]	$12\frac{1}{2}$ " [319mm]
RGWH18	$19\frac{1}{16}$ " [484mm]	$18\frac{1}{2}$ " [472mm]
RGWH22	$23\frac{1}{16}$ " [585mm]	$22\frac{1}{2}$ " [572mm]



FRONT VIEW SCALE: 3"=1'-0"



SIDE VIEW SCALE: 3"=1'-0"