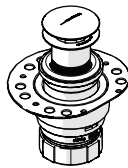
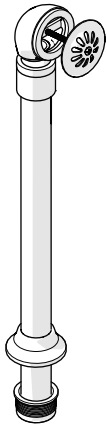


INSTALLATION GUIDELINES

TUB DRAIN

UNIVERSAL PUSH-TOUCH DRAIN AND DOCKING STATIONS WITH OVERFLOW



STYLE
UNWO30

IMPORTANT:

- This product must be installed by a well experienced and professional licensed contractor.
- Be sure your installation conforms to all federal, state, and local codes.
- Immediately after receiving the BATHTUB and removal of packing, you **MUST** inspect the unit for freight damage. Any claims for damage, whether apparent or hidden, must be made to the carrier immediately in order for them to assume all associated costs. Should inspection reveal any defect in the finish, do not install the BATHTUB. Damage or defect to the finish claimed after the BATHTUB is installed is excluded from the warranty. The warranty **DOES NOT** cover labor or materials to remove or reinstall the BATHTUB.
- To ensure this product is installed properly, you must read and follow these guidelines.
- The owner/user of this product must keep this information for future reference.

- Inspect this product to ensure you have all the parts required for proper installation and take all necessary precautions to ensure the BATHTUB is protected during installation.
- Adequate floor support is required. Ensure the BATHTUB is properly supported by the base.
- The use of certain plumber' putty may stain stone or tile surfaces.
- If further assistance is required, please contact Product Support at 1-800-927-2120 Monday through Friday, 8am - 6pm EST.

TECHNICAL DETAILS:

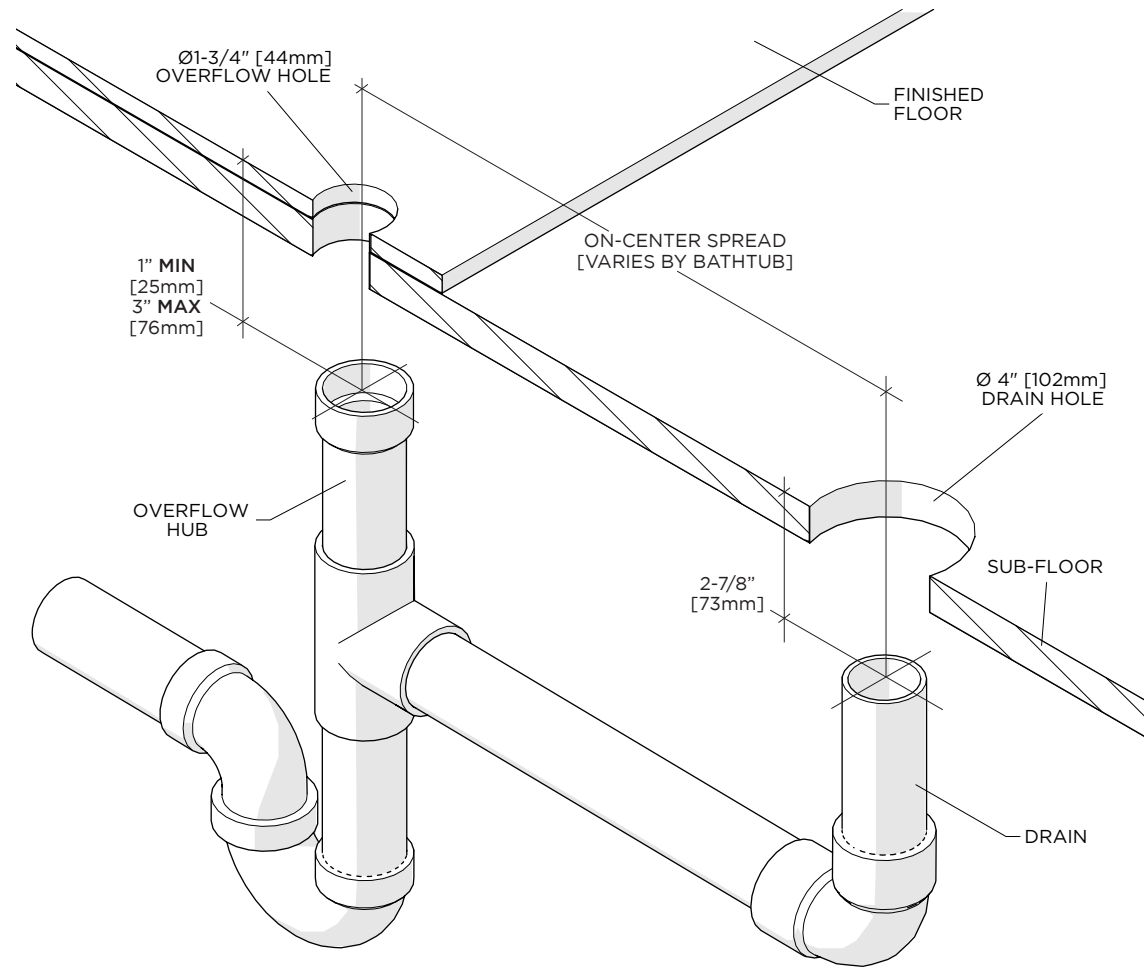
DETAIL	SPECIFICATION
DRAIN DEPTH MAXIMUM	2" [51mm]
DRAIN DEPTH MINIMUM	1-3/8" [35mm]
DRAIN HOLE DIAMETER	Ø 2" [51mm]
DRAIN STYLE	PUSH-TOUCH
FITTINGS HOLE DIAMETER - DRAIN	Ø 4" [102mm]
FITTINGS HOLE DIAMETER - OVERFLOW	Ø 1-3/4" [44mm]
OUTLET CONNECTION SIZE	1-1/2"
OUTLET CONNECTION TYPE - DRAIN	SCH40 ABS AND PVC SOCKET ADAPTER
OUTLET CONNECTION TYPE - OVERFLOW	TAILPIECE WITH SLIP FIT GASKET
OVERFLOW HOLE DIAMETER	Ø 1-9/16" [40mm]
TUB WALL THICKNESS AT OVERFLOW HOLE	2-5/8" [67mm] MAXIMUM
	1-5/8" [41mm] MINIMUM

INSTALLATION GUIDELINES

TUB DRAIN

ROUGH-IN:

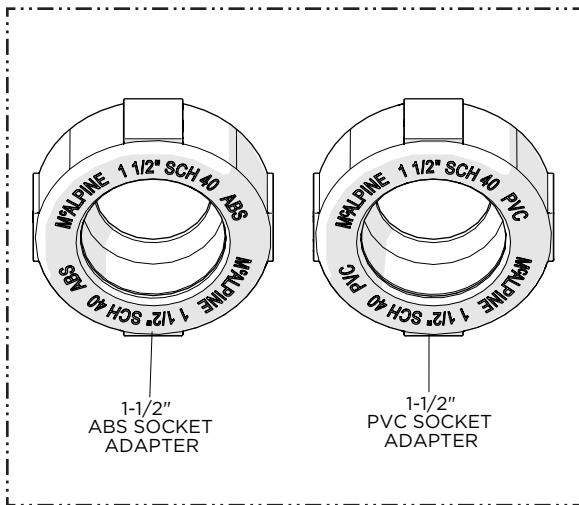
- Determine the placement of the BATHTUB and measure the horizontal on-center spread of the waste and overflow for the BATHTUB being installed then mark the floor and drill holes through the floor accommodate the drain.
- Rough-in a 1-1/2" DWV (**not supplied**) with the appropriate on-center spread.
- In order for the DRAIN HUB and OVERFLOW RISER to be securely installed, all DWV pipes and fittings must be well supported to eliminate the possibility of shifting.
- The top of the OVERFLOW HUB (**not supplied**) must be between 1" [25mm]MIN - 3" [76mm]MAX from the **finished floor**.
- The top of the DRAIN PIPE (**not supplied**) must be 2-7/8" [73mm] from the top of the **sub-floor**.



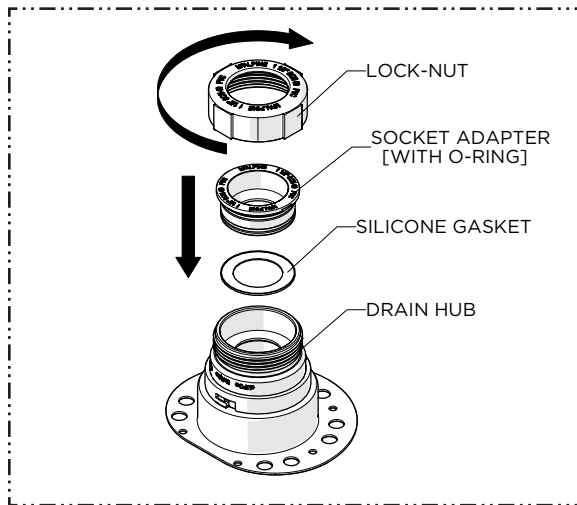
INSTALLATION GUIDELINES

TUB DRAIN

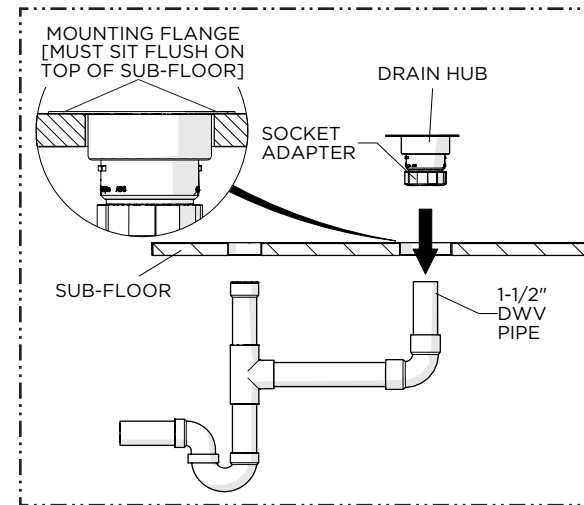
WATERWORKS



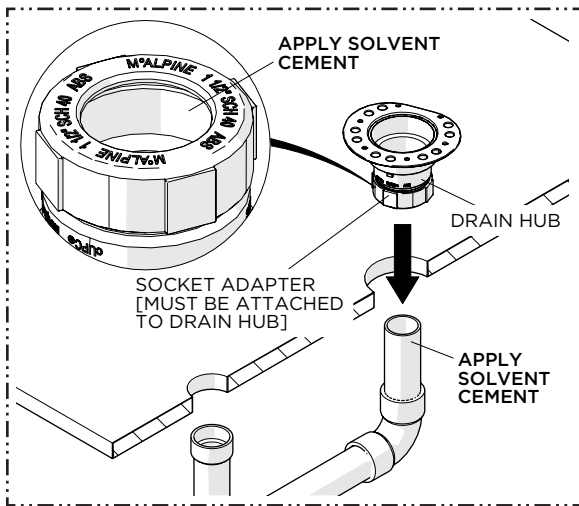
1. Select either the ABS or PVC SOCKET ADAPTER, depending on the material of the DWV piping.



2. Insert the SILICONE GASKET and SOCKET ADAPTER into the DRAIN HUB then hand-tighten the LOCK-NUT onto the HUB.

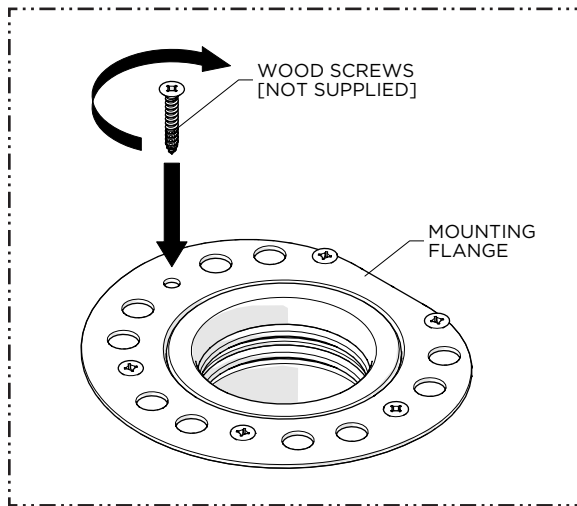


3. Dry-fit the DRAIN HUB assembly to the 1-1/2" DWV pipe making sure the pipe fits snugly into the SOCKET ADAPTER and the MOUNTING FLANGE sits flush on top of the sub-floor.

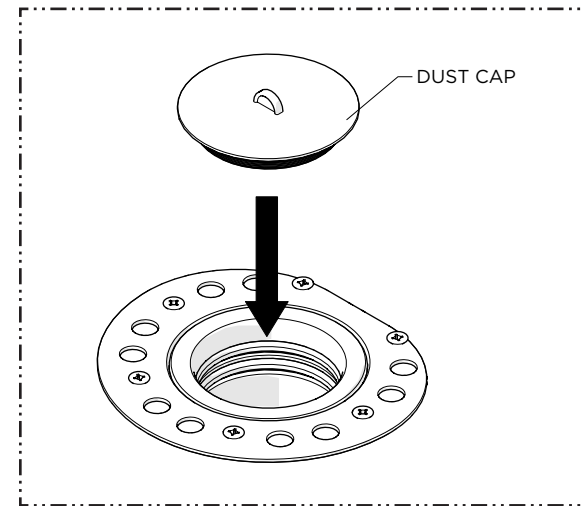


4. Apply the appropriate solvent cement to the inside of the SOCKET ADAPTER and the outside of the 1-1/2" DWV pipe then connect the ADAPTER to the pipe.

NOTE: The SOCKET ADAPTER must be attached to the DRAIN HUB for this step.



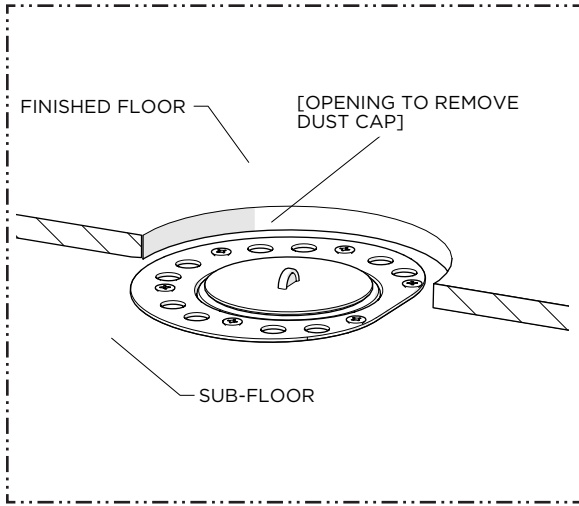
5. Secure the DRAIN HUB to the sub-floor using wood screws (not provided) through the small holes on the MOUNTING FLANGE.



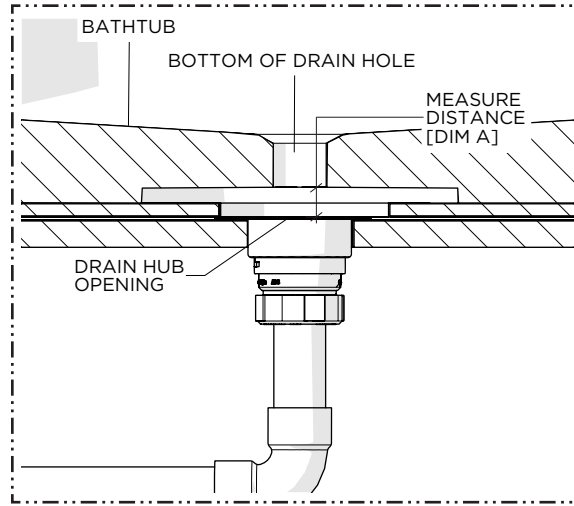
6. Insert the DUST CAP into the DRAIN HUB to protect the DRAIN during construction.

INSTALLATION GUIDELINES

TUB DRAIN



7. Install the finished floor making sure to leave an opening large enough to remove the DUST CAP.

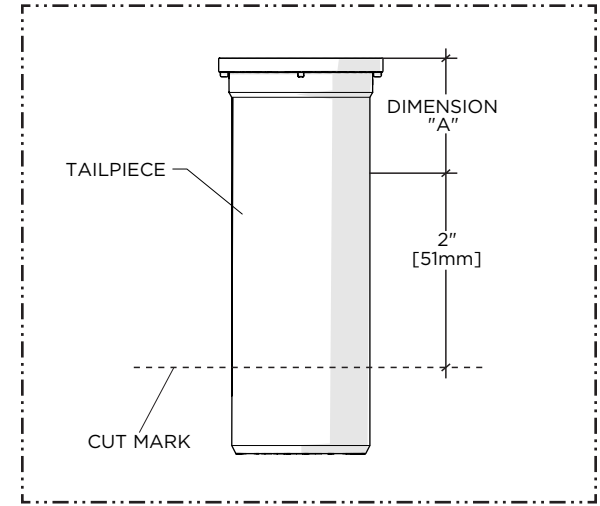


8. Measure the distance between the opening on the DRAIN HUB to the bottom of the BATHTUB drain hole.

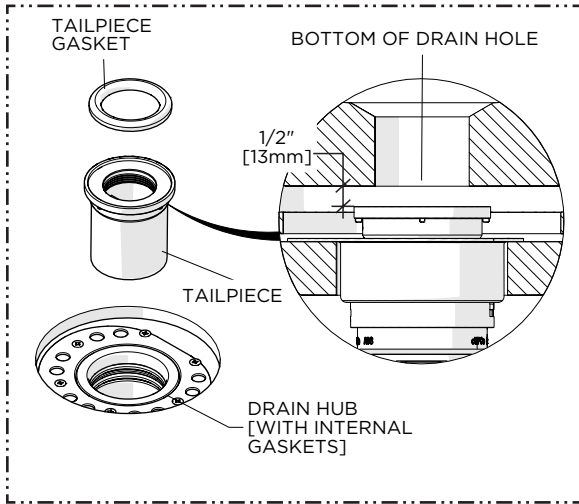
DIMENSION A: _____

NOTE: DIMENSION A must be 1-1/8" [29mm] **MINIMUM** to 5-5/8" [143mm] **MAXIMUM**.

WATERWORKS

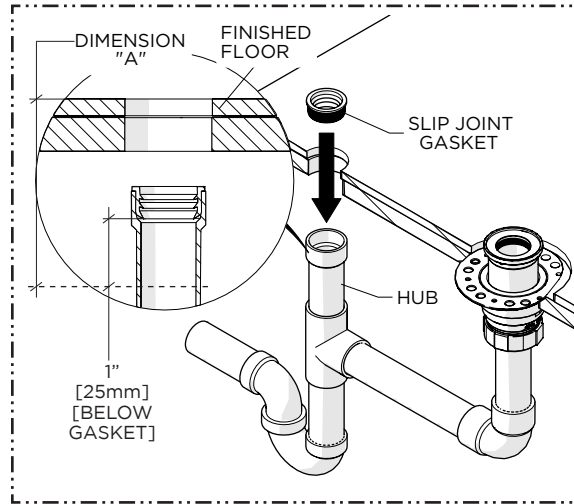


9. Add 2" [51mm] to the previous measurement (DIM A) taken and cut the TAILPIECE to that length.



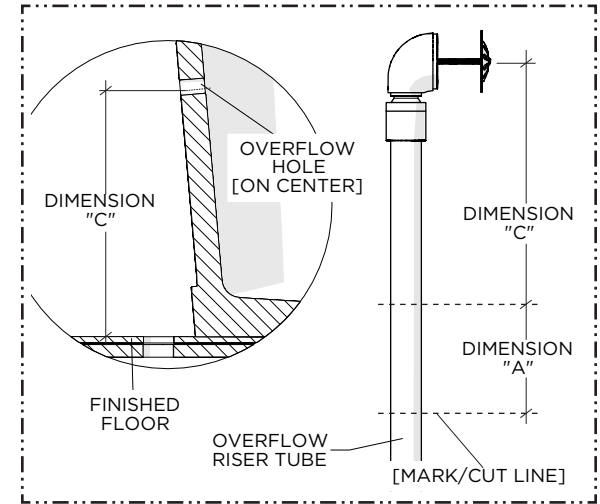
10. Insert the TAILPIECE into the DRAIN HUB. If necessary, lubricate the RUBBER GASKETS inside the HUB with some water or silicone grease. Make sure the TAILPIECE GASKET is in place on top of the TAILPIECE.

NOTE: The top of the TAILPIECE should sit 1/2" [13mm] below the drain hole opening on the BATHTUB when fully inserted.



11. Insert the SLIP JOINT GASKETS into the HUB then measure from the finished floor to 1" [25mm] below the bottom of the GASKET.

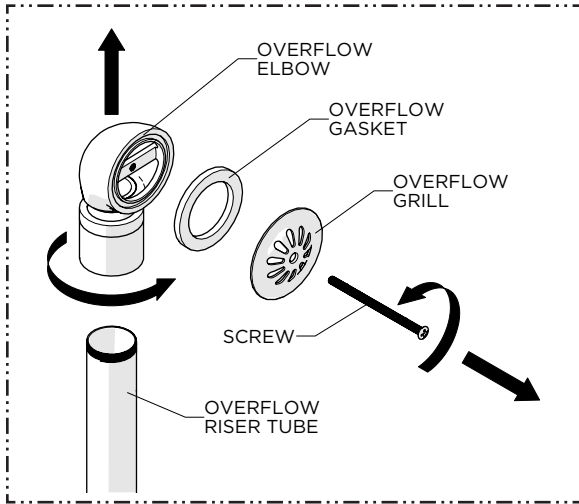
DIM A: _____



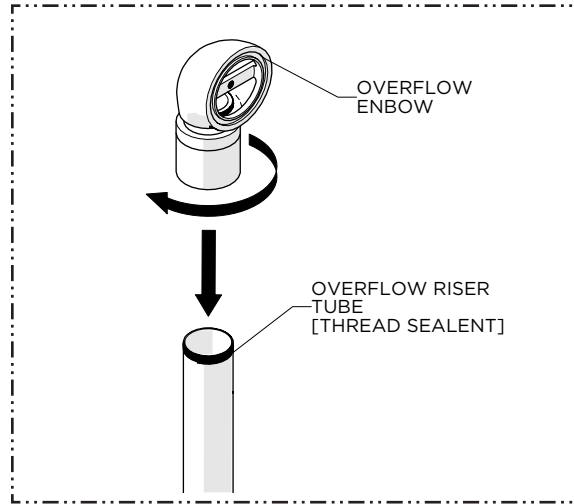
12. Measure (DIMENSION "C") from the center of the OVERFLOW HOLE to the finished floor then, using the previous DIMENSION "A" mark and cut the OVERFLOW RISER TUBE.

INSTALLATION GUIDELINES

TUB DRAIN

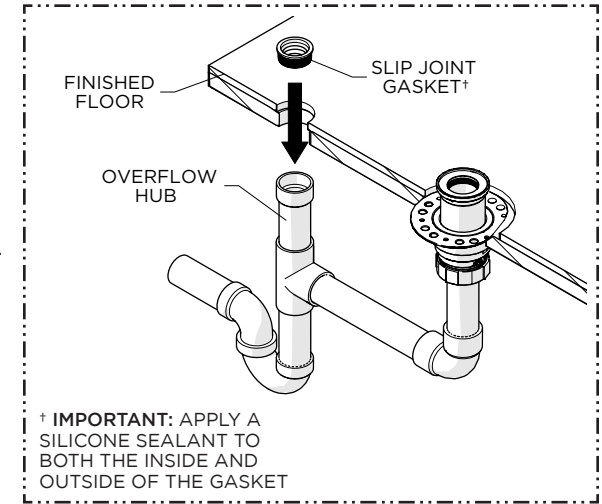


13. Unthread and remove the SCREW, OVERFLOW GRILL, OVERFLOW GASKET, COLLAR, and O-RING. Remove OVERFLOW RISER PIPE from OVERFLOW ELBOW.



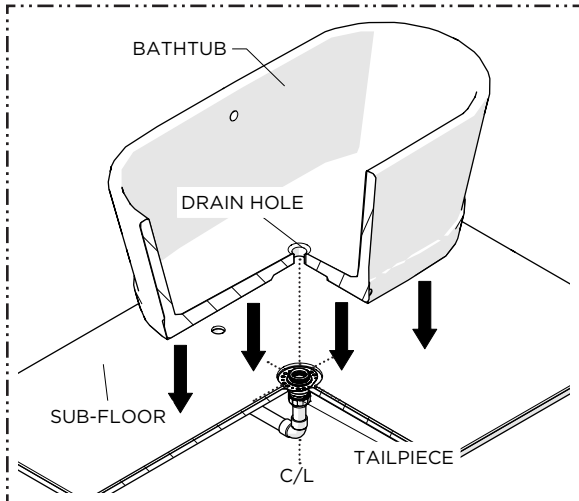
14. Apply thread sealant or pipe dope to the threads on the RISER TUBE then thread and securely tighten the ELBOW onto the TUBE.

WATERWORKS

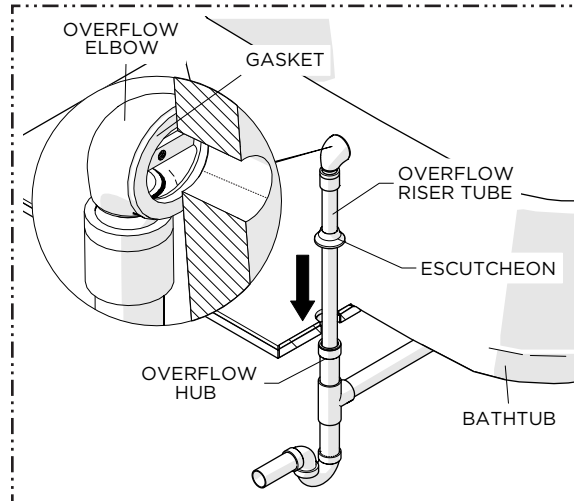


15. Apply a generous coating of a clear adhesive silicone sealant to both the **inside** and **outside** of the SLIP JOINT GASKET and insert the GASKET into the HUB.

NOTE: The silicone will act as a lubricant and as a seal when it cures.

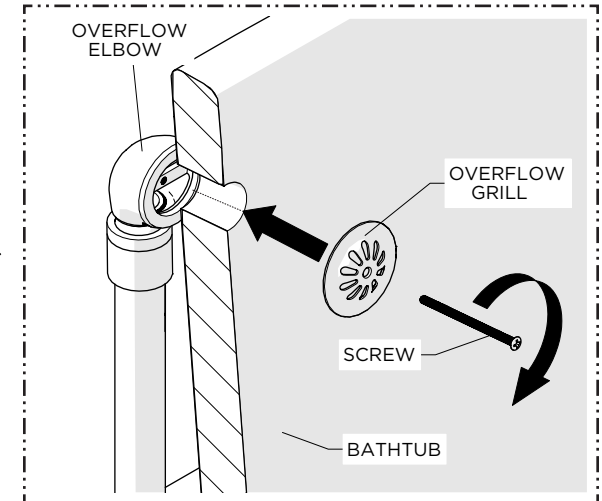


16. Move the BATHTUB into position with the DRAIN HOLE aligned with the TAILPIECE.



17. Slide the ESCUTCHEON onto the OVERFLOW RISER TUBE then insert the TUBE into the HUB and properly align the ELBOW with the overflow hole on the BATHTUB making sure to include the GASKET provided.

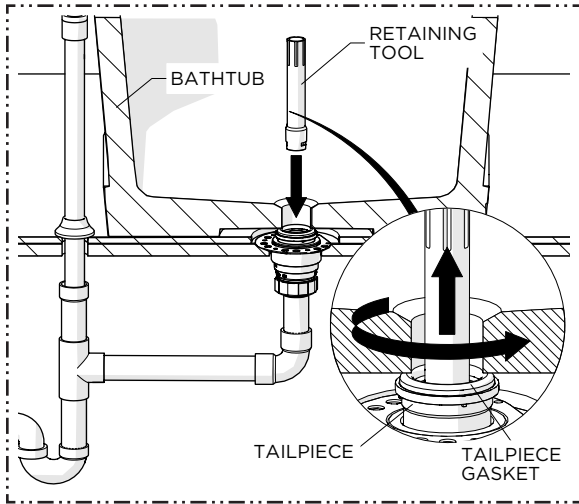
NOTE: Apply a generous bead of silicone adhesive to both sides of the OVERFLOW GASKET.



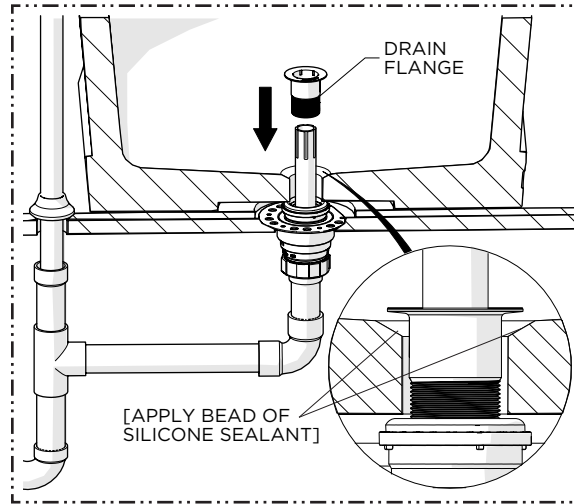
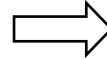
18. Ensure the ELBOW is properly aligned and the GASKET makes a proper seal then place the GRILL on the BATHTUB and secure it using the SCREW provided.

INSTALLATION GUIDELINES

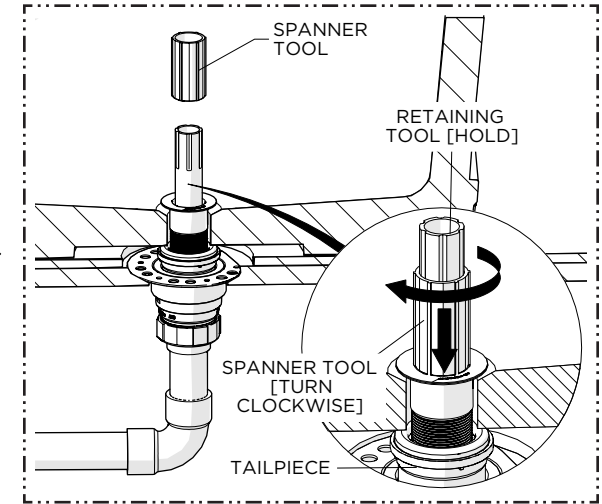
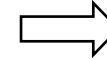
TUB DRAIN



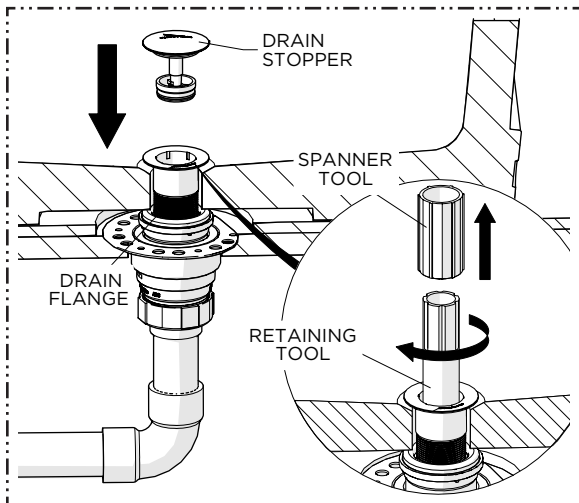
19. Insert the RETAINING TOOL into the TAILPIECE and rotate counterclockwise to engage the tabs inside the TAILPIECE and slots on the TOOL. Pull up so the TAILPIECE GASKET makes contact with the underside of the BATHTUB.



20. Slide the DRAIN FLANGE over the RETAINING TOOL until it contacts the threads inside the TAILPIECE then apply a bead of silicone sealant to the drain hole opening on the BATHTUB.

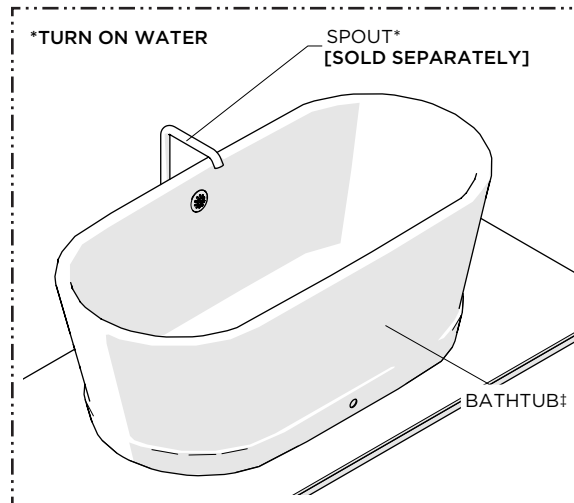
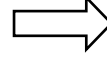


21. Slide the SPANNER TOOL over the RETAINING TOOL and insert the SPANNER TOOL into the notches on the DRAIN FLANGE. Hold the RETAINING TOOL while rotating the SPANNER TOOL clockwise to thread the DRAIN FLANGE into the TAILPIECE. Make sure to securely tighten the DRAIN FLANGE.

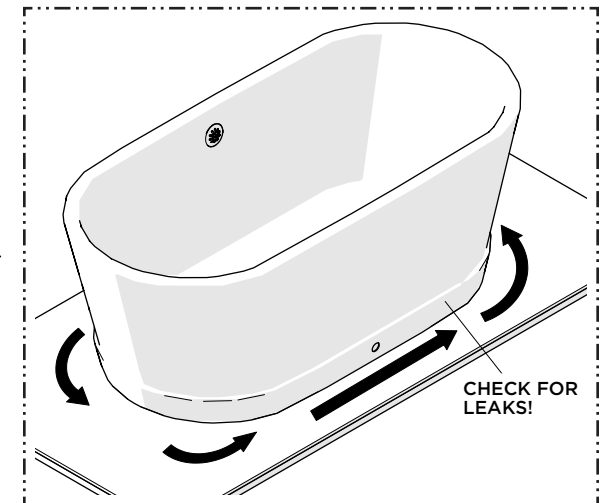
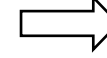


22. Remove the SPANNER and RETAINING TOOLS then insert the DRAIN STOPPER into the DRAIN FLANGE making sure it is fully seated.

NOTE: Wipe away any excess sealant around the DRAIN FLANGE.



23. Verify the BATHTUB is level and, if needed, add shims then fill the BATHTUB making sure the DRAIN STOPPER functions properly.

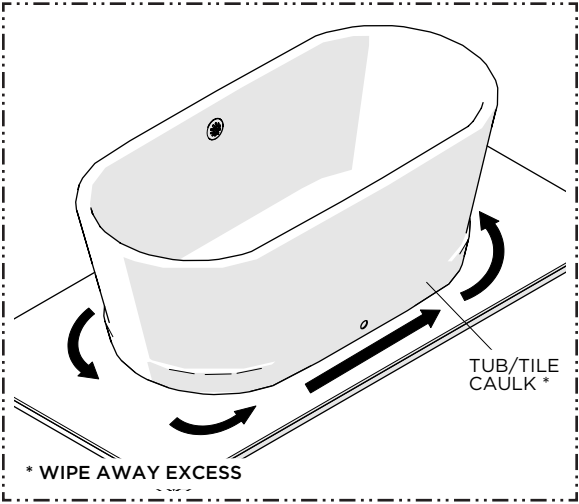


24. Drain the BATHTUB and check for leaks.

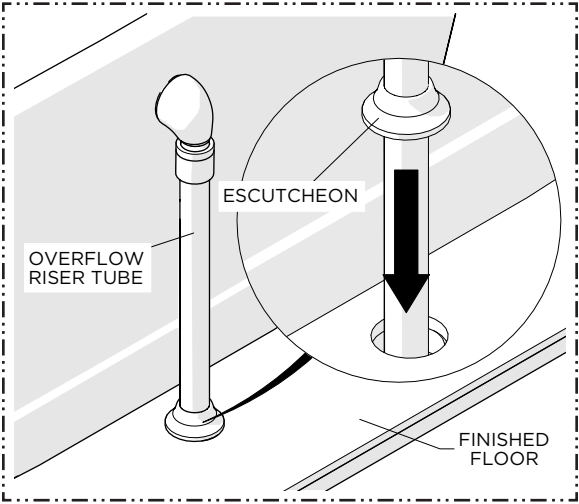
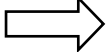
INSTALLATION GUIDELINES

TUB DRAIN

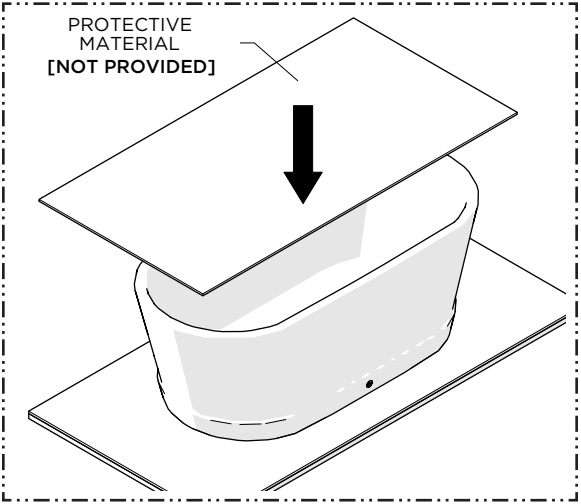
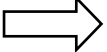
WATERWORKS



25. Run a bead of tub and tile caulk around the bottom edge of the BATHTUB where it meets the finished floor; wipe away any excess caulk with a wet paper towel.



26. Slide the ESCUTCHEON down the OVERFLOW RISER TUBE until it contacts the finished floor.



27. Cover the BATHTUB surface with a liner or other protective material (**not provided**) until construction is completed.