

Bond

BTH63S

Bond Rally Series Integrated Thermostatic and Dual Volume Control Trim with Knob Handles



SHOWN IN BOND RALLY SERIES INTEGRATED THERMOSTATIC AND DUAL VOLUME CONTROL TRIM WITH KNOB HANDLES | BTH63S

TECHNICAL DETAILS

ADA Compliance: Yes
 Integrated Diverter: Y
 Number Of Holes: Three Hole
 Primary Material: Brass

INSPIRATION

Bond draws inspiration from the Aesthetic Movement, rare vintage lighters, and modern industrial design. The result is a contemporary collection with a soulful quality that inhabits the full range of modern style, from austere minimalism to warm contemporary.

CODES & STANDARDS

ASME A112.18.1/CSA B125.1, State of MA

PRODUCT FEATURES

Knob Handles

Allows bather to adjust temperature of all waterway outlets with a hot limit safety stop providing anti-scald protection

Features a Sport Black Finish, smooth and velvety to the touch

Stocked in Chrome/Sport Black

Requires rough valve, sold separately: GUTH74 (USA) or GU74TH (UK/International)

CERTIFICATIONS

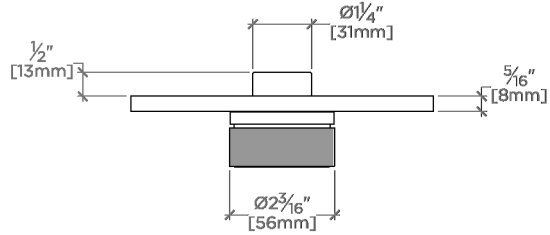


PRODUCT (NOTES)

Bond

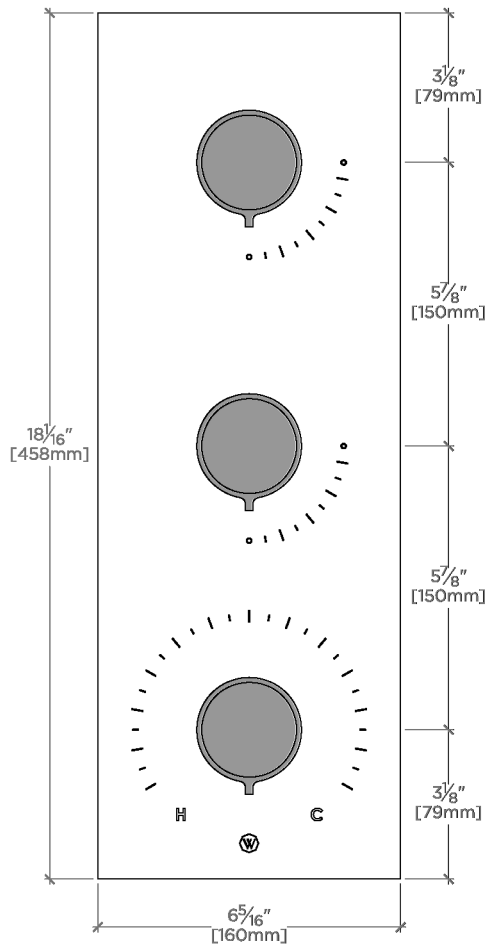
BTH63S

Bond Rally Series Integrated Thermostatic and Dual Volume Control Trim with Knob Handles



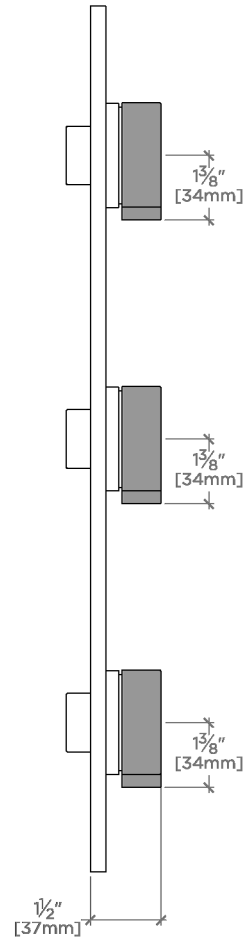
TOP VIEW

SCALE: 3"=1'-0"



FRONT VIEW

SCALE: 3"=1'-0"



SIDE VIEW

SCALE: 3"=1'-0"