

## Lucia

LU01LT

Lucia Wall Mounted Single Sconce with Murano Glass Diffusers



SHOWN IN LUCIA WALL MOUNTED SINGLE SCONCE WITH MURANO GLASS DIFFUSERS | LU01LT

### TECHNICAL DETAILS

Ambient Task: Ambient  
Depth/Width: 83 mm  
Height: 622 mm  
Installation Type: Wall Mounted  
Interior Exterior Application: Interior Only  
Length: 140 mm  
Light Direction: Omnidirectional from wall surface  
Orientation: Vertical or Horizontal  
Primary Material: Brass/Murano Glass  
Safety Warnings: Do not exceed max wattage.  
Shade Finish: Clear  
Shade Material: Glass  
Voltage: 240  
Wet/Dry: Damp or Dry

### INSPIRATION

Our Lucia collection showcases two artisanal techniques that use elegantly offset ovals of crystalline glass or a precisely faceted battuto treatment, to create looks of contemporary refinement. Crafted in Murano and treated with traditional etching techniques, the hand worked glass displays subtle undulations and striations you can see and feel.

### CODES & STANDARDS

### PRODUCT FEATURES

Proprietary design

Available in Brass or Nickel with Murano Glass Diffusers

Handcrafted in Italy

Dimmable integrated LED fixture - 50,000 hours of life

Our handblown glass diffusers are individually formed by skilled glassblowers, and natural air bubbles, slight movement within the glass, and subtle variation in shape - normal and inherent to the process - enhance their beauty and ensure no two fixtures are exactly alike.

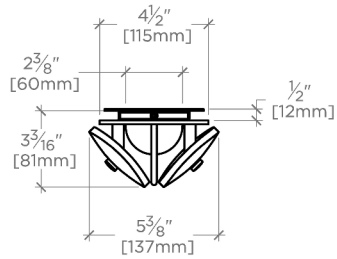
### CERTIFICATIONS

### PRODUCT (NOTES)

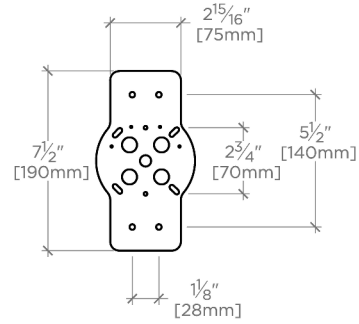
## Lucia

LU01LT

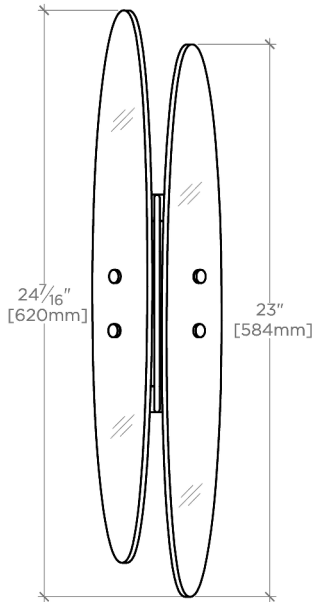
Lucia Wall Mounted Single Sconce with Murano Glass Diffusers



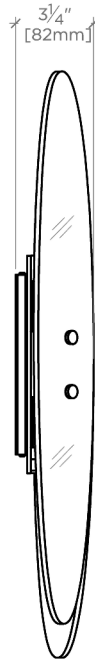
TOP VIEW SCALE: 1/2"=1'-0"



MOUNTING PLATE SCALE: 1/2"=1'-0"



FRONT VIEW SCALE: 1/2"=1'-0"



SIDE VIEW SCALE: 1/2"=1'-0"