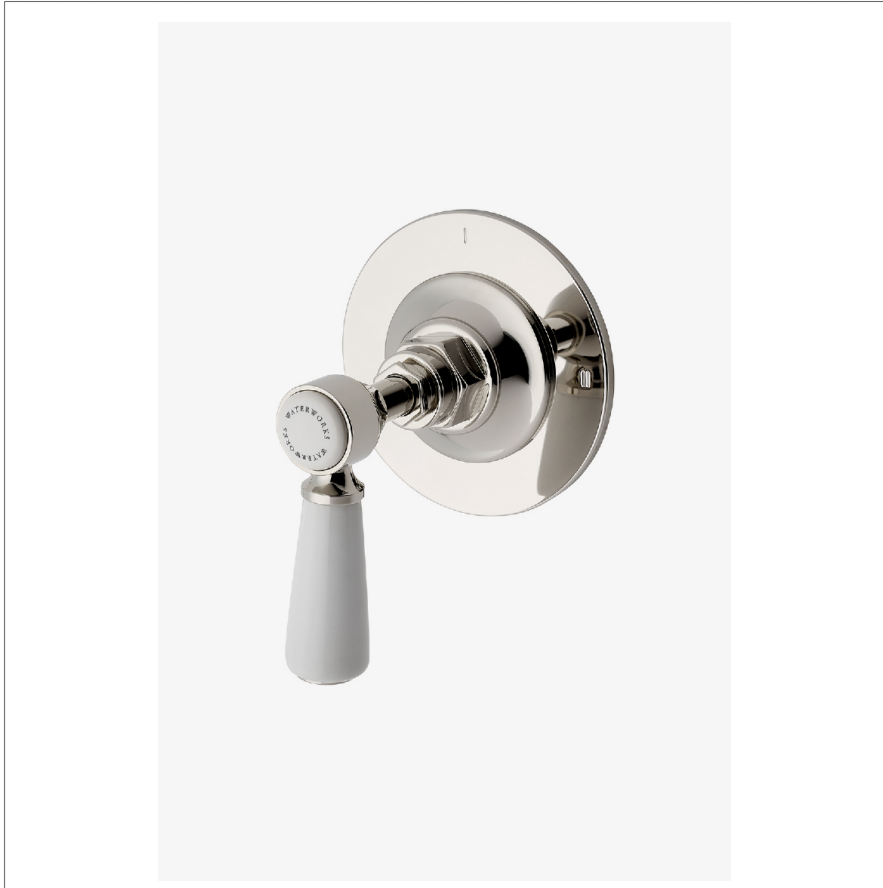


## HIGHGATE

## HG2P10

Highgate Two Way Diverter Valve Trim for Pressure Balance  
with Roman Numerals and Porcelain Lever Handle



SHOWN IN HIGHGATE TWO WAY DIVERTER VALVE TRIM FOR PRESSURE BALANCE WITH ROMAN NUMERALS AND PORCELAIN LEVER HANDLE | HG2P10

### INSPIRATION

Our take on old English style: simple, functional shapes, detailed with white porcelain indices and hexagonal accents for a timeless feel.

### PRODUCT FEATURES

Lever Handle

For Use With a Pressure Balance Shower System and Two Waterway Outlets

Features Roman Numerals Representing Outlet Position

Stocked in Chrome, Nickel, Brass

Requires valve rough sold separately

### TECHNICAL DETAILS

ADA Compliance: Yes  
Fittings Hole Diameter: 2"  
Handle Turn Angle: Quarter Turn  
Number Of Holes: One Hole  
Primary Material: Brass

### CODES & STANDARDS

HG2P10X, ASME A112.18.1/CSA B125.1, State of MA

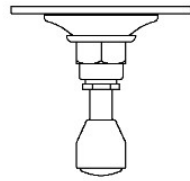
### CERTIFICATIONS

### PRODUCT (NOTES)

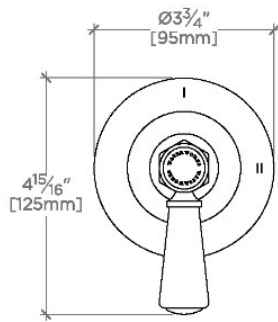
## HIGHGATE

HG2P10

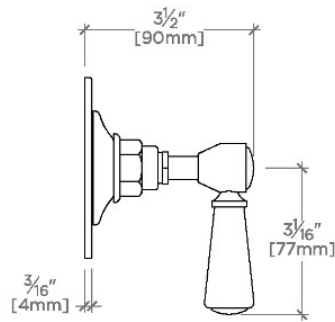
Highgate Two Way Diverter Valve Trim for Pressure Balance  
with Roman Numerals and Porcelain Lever Handle



TOP VIEW SCALE: 3"=1'-0"



FRONT VIEW SCALE: 3"=1'-0"



SIDE VIEW SCALE: 3"=1'-0"