

Ludlow

LDXT70

Ludlow Floor Mounted Exposed Tub Filler with Handshower and Lever Handles



SHOWN IN LUDLOW FLOOR MOUNTED EXPOSED TUB FILLER WITH HANDSHOWER AND LEVER HANDLES | LDXT70

TECHNICAL DETAILS

ADA Compliance: No
 Adjustable Versus Fixed Spray: Fixed Spray
 Depth/Width: 276 mm
 Diameter Of Head: 52 mm
 Diameter Of Legs Tubes: 37 mm
 Escutcheon Primary Material: Brass
 Fittings Hole Diameter: 32 mm
 Flow Restriction Options: 1.5, 1.75, 2.0
 Handle Spread Maximum: 203 mm
 Handle Spread Minimum: 203 mm
 Handle Turn Angle: Quarter Turn
 Handshower Spray Hose Length: 1.7 m
 Height: 968 mm
 Inlet Connection Size: 3/4"
 Inlet Connection Type: Copper Sweat
 Inlet Supply Spread Maximum: 203 mm
 Inlet Supply Spread Minimum: 203 mm
 Installation Type: Freestanding
 Integrated Diverter: N
 Integrated Spray: N
 Length: 430 mm
 Number Of Handles: Two
 Number Of Holes: Two Hole
 Pivot: N
 Primary Material: Brass
 Spout Swivel: N
 Spray Included In Unit: N
 Suggested Application: Bath
 Valve Material: Ceramic
 Water Pressure Maximum: 6.0 bar
 Water Pressure Minimum: 1.5 bar
 Water Pressure Recommended: 3.0 bar

INSPIRATION

Our fresh take on American industrial design comes in three styles, each of them clean-lined, and distinct to Waterworks.

CODES & STANDARDS

LDXT70X, ASME A112.18.1/CSA B125.1, Waterworks Handshowers use check valves compliant to ASME A112.18.3 for backflow protection, CEC, DOE, State of MA

PRODUCT FEATURES

Features All Metal Lever Handles

Diverter handle allows bather to move water from spout to handshower

The Handshower offers a fixed spray pattern

Stocked in Chrome, Nickel and Brass

Unrestricted flow for tub spout. Handshower available in 1.75gpm (6.6L/min) flow rate

CERTIFICATIONS

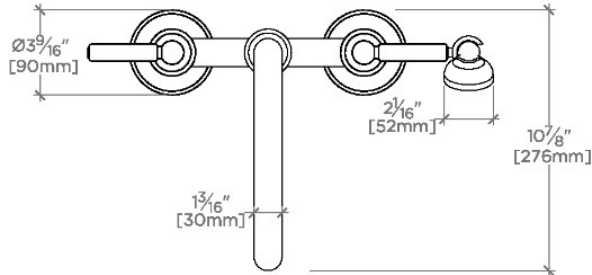


PRODUCT (NOTES)

Ludlow

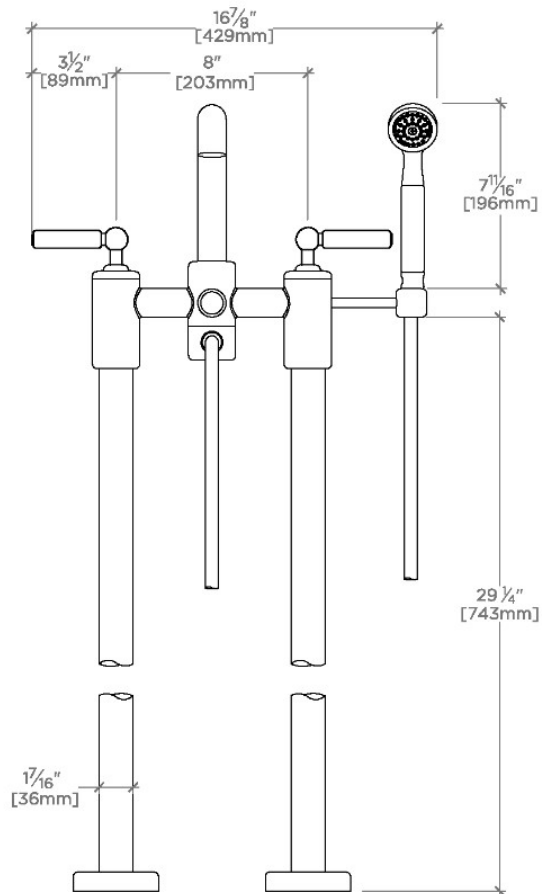
LDXT70

Ludlow Floor Mounted Exposed Tub Filler with Handshower and Lever Handles



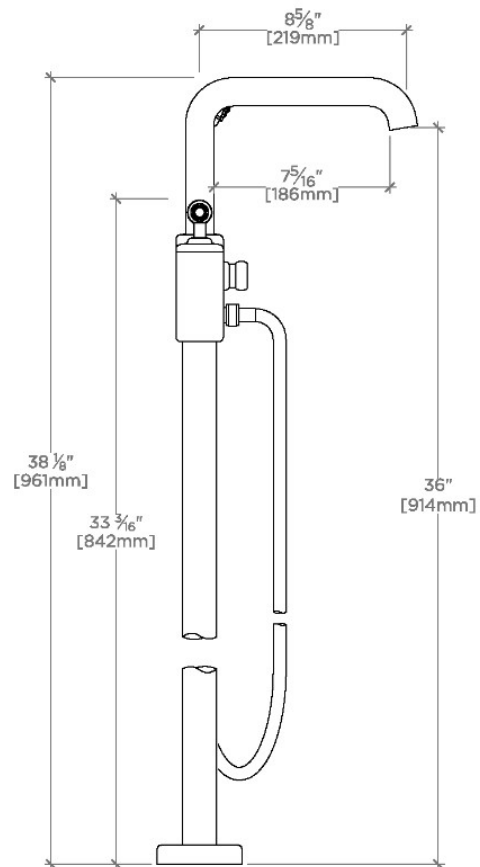
TOP VIEW

SCALE: 1½"=1'-0"



FRONT VIEW

SCALE: 1½"=1'-0"



SIDE VIEW

SCALE: 1½"=1'-0"