

## VIAWORKS

GULV25

ViaWorks 1/2" Lavatory Wall Mounted Valve (Used with Lever Handle Lavatory Faucets)



SHOWN IN VIAWORKS 1/2" LAVATORY WALL MOUNTED VALVE (USED WITH LEVER HANDLE LAVATORY FAUCETS) | GULV25

### TECHNICAL DETAILS

ADA Compliance: No  
 Depth/Width: 6"  
 Fittings Hole Diameter: 1 3/8"  
 Handle Spread Maximum: 8"  
 Handle Spread Minimum: 8"  
 Handle Turn Angle: Quarter Turn  
 Height: 2 3/4"  
 Inlet Connection Size: 1/2"  
 Inlet Connection Type: Female NPT  
 Installation Type: Wall Mounted  
 Length: 10"  
 Outlet Connection Size: 1/2"  
 Outlet Connection Type: Female NPT  
 Primary Material: Brass  
 Suggested Application: Bath  
 Valve Material: Ceramic  
 Water Pressure Maximum: 85.0 psi  
 Water Pressure Minimum: 20.0 psi  
 Water Pressure Recommended: 45.0 psi

### INSPIRATION

The ViaWorks collection encompasses all Waterworks valves, which are just as impeccably engineered as our legendary fittings and the finest the industry has to offer in terms of performance, features and functionality. ViaWorks valves are engineered with more than three generations of bath and kitchen expertise, each with installers and lifelong service in mind.

### CODES & STANDARDS

GULV25X, NSF/ANSI/CAN 61:Q < 1, NSF/ANSI/CAN 372, NSF/ANSI/CAN 372, ASME A112.18.1/CSA B125.1, CEC, State of MA

### PRODUCT FEATURES

This counter-clockwise open and clockwise open cartridge rough is for use with Waterworks lever handled wall mounted faucets

1/2" NPT male inlet and 1/2" NPT female outlet, with quarter turn functionality

6 gpm (gallons per minute) unrestricted maximum flow at 60 psi

Provides convenience of a Wall Mount lavatory installation

Made in Europe of Brass Construction

### CERTIFICATIONS

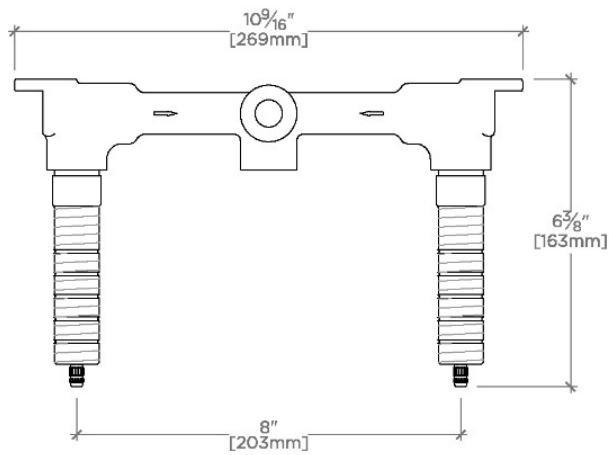


### PRODUCT (NOTES)

## VIAWORKS

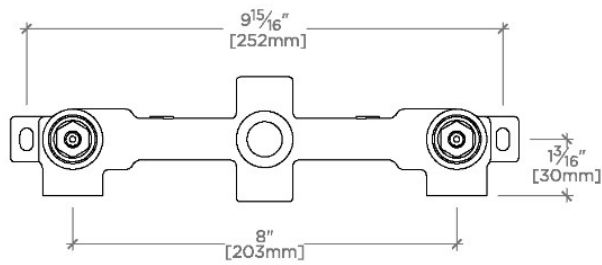
GULV25

ViaWorks 1/2" Lavatory Wall Mounted Valve (Used with Lever Handle Lavatory Faucets)



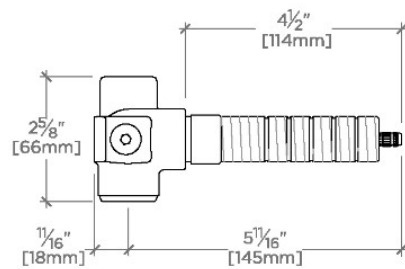
TOP VIEW

SCALE: 3"=1'-0"



FRONT VIEW

SCALE: 3"=1'-0"



SIDE VIEW

SCALE: 3"=1'-0"