

FORO

Foro Wall Mounted Exposed Tub Filler with Metal Handshower and Lever Handles

FR30XT



TECHNICAL DETAILS

Adjustable versus Fixed Spray: Fixed
Fittings Hole Diameter: 32 mm
Handle Spread Maximum: 184 mm
Handle Spread Minimum: 184 mm
Handle Turn Angle: Quarter Turn
Handshower / Spray Hose Length: 1.5 m
Depth / Width: 238 mm
Height: 340 mm
Inlet Connection Size: 3/4"
Inlet Connection Type: Male BSPP
Inlet Supply Spread Maximum: 184 mm
Inlet Supply Spread Minimum: 184 mm
Length: 337 mm
Valve Material: Ceramic
Water Pressure Maximum: 6.0 bar
Water Pressure Minimum: 1.5 bar
Water Pressure Recommended: 3.0 bar

INSPIRATION

A mix of historical references, including finely etched vintage silver, come together in this twist on classical design - a wonderfully elegant formal statement.

PRODUCT FEATURES

Metal lever handles

Diverter handle allows bather to move water from spout to handshower. Handshower features 3" head with rubber nozzles.

Features signature engraving detail

Stocked in Nickel and Unlacquered Brass

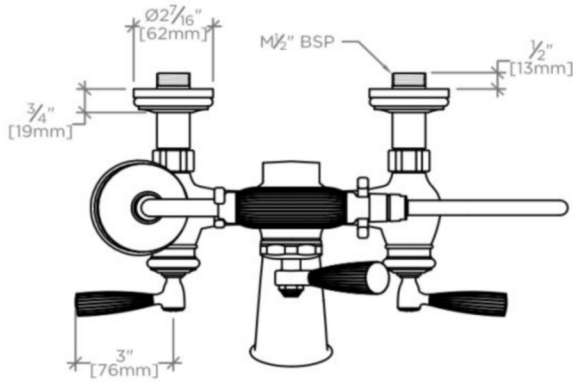
Unrestricted flow for tub spout. Handshower available in 1.75gpm (6.6L/min) flow rate

WATERWORKS

FORO

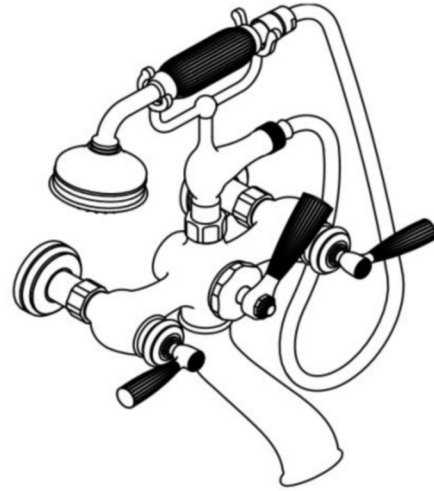
FR30XT

Foro Wall Mounted Exposed Tub Filler with Metal Handshower and Lever Handles



TOP VIEW

SCALE: 2"=1'-0"



ISO VIEW

SCALE: 2"=1'-0"

