

OPUS

Opus Wall Mounted Double Sconce with Glass Shades

OP02LT



SHOWN IN OPUS WALL MOUNTED DOUBLE SCONCE WITH GLASS SHADES| OPLT02

TECHNICAL DETAILS

Ambient / Task: Ambient
Bulb Base Size: E27
Escutcheon Primary Material: Brass
Bulb Type: E27 Tubular
Depth / Width: 89 mm
Height: 633 mm
Installation Type: Wall Mounted
Interior / Exterior Application: Interior Only
Junction Box Orientation: Any
Length: 113 mm
Number of Bulbs: Two
Orientation: Any
Primary Material: Brass
Safety Warnings: Do not exceed max wattage.
Shade Finish: Translucent
Shade Fitter Size: 51 mm
Shade Material: glass
Shade Shape: Cylinder
Suggested Application: All Applications
Voltage: 240
Wet / Dry: Damp or Dry

INSPIRATION

Opus incorporates a range of sophisticated aesthetic notes, with graceful curves that create a jewel-like refinement.

CODES & STANDARDS

CE, IP4X

PRODUCT FEATURES

E27 Tubular, 60 watts, HVL
Made of Brass
Wall Mounted
Glass Tube Shades

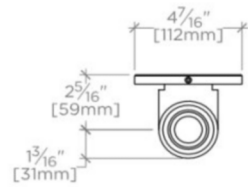
PRODUCT (NOTES)

See UK reference chart. Do not exceed max wattage.

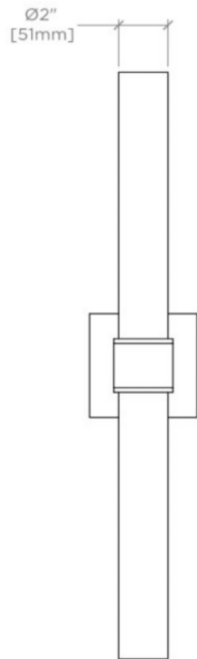
OPUS

OP02LT

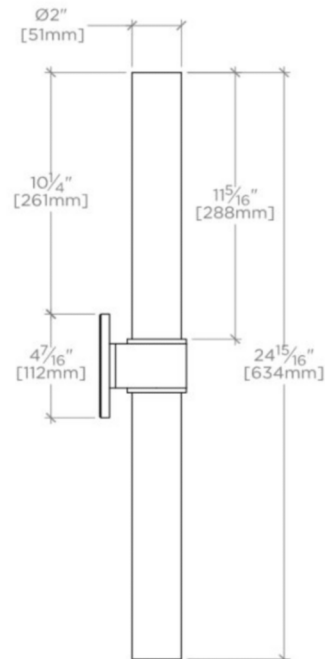
Opus Wall Mounted Double Sconce with Glass Shades



TOP VIEW SCALE: $1\frac{1}{2}$ "=1'-0"



FRONT VIEW SCALE: $1\frac{1}{2}$ "=1'-0"



SIDE VIEW SCALE: $1\frac{1}{2}$ "=1'-0"