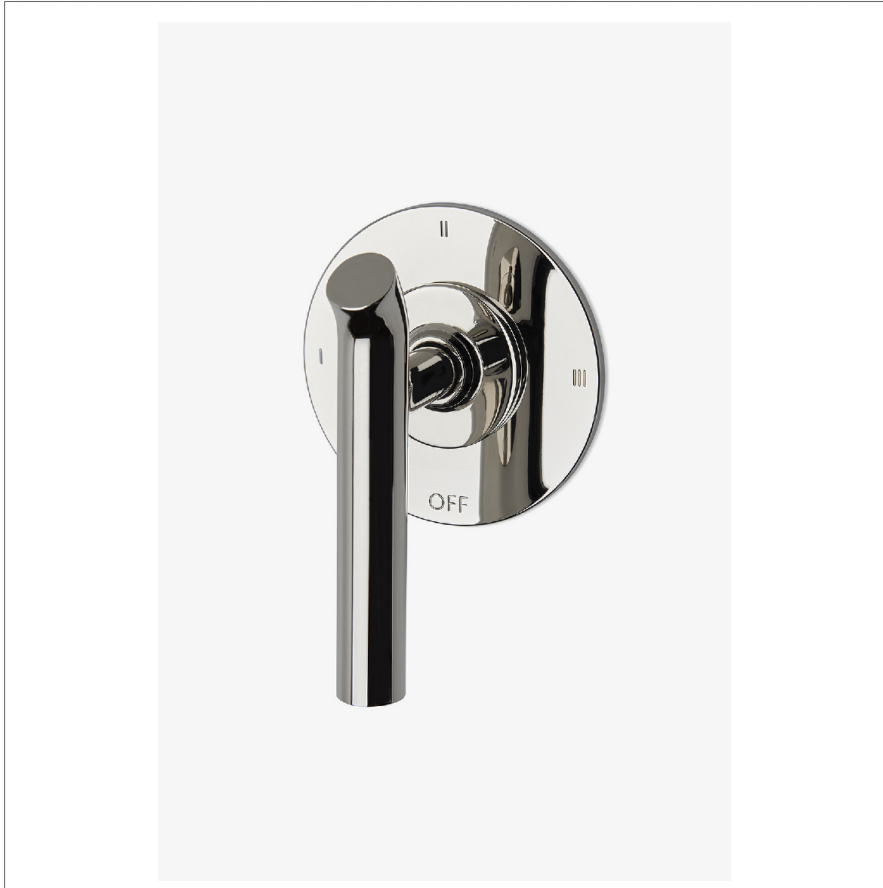


BOND

B3T110

Bond Solo Series Three Way Thermostatic Diverter Trim with Roman Numerals and Lever Handle



SHOWN IN BOND SOLO SERIES THREE WAY THERMOSTATIC DIVERTER TRIM WITH ROMAN NUMERALS AND LEVER HANDLE | B3T110

TECHNICAL DETAILS

ADA Compliance: Yes
Integrated Diverter: N
Number Of Holes: One Hole
Primary Material: Brass

INSPIRATION

Modern designs infused with rare soul and artistry. Explore our wide range of Bond bath and kitchen elements, from fittings to fixtures to hardware.

CODES & STANDARDS

ASME A112.18.1/CSA B125.1, State of MA

PRODUCT FEATURES

Lever Handle

For use with a Thermostatic shower system and three waterway outlets such as a handshower, shower head, and tub spout

Features Uprturned Lever Handles

Stocked in Chrome, Nickel, Brass and Dark Nickel

Requires rough valve, sold separately: GUDV66

CERTIFICATIONS

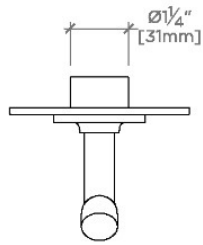


PRODUCT (NOTES)

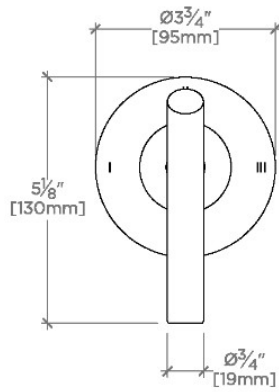
BOND

B3T110

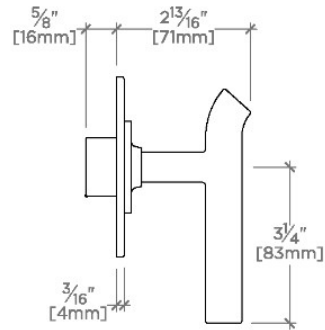
Bond Solo Series Three Way Thermostatic Diverter Trim with Roman Numerals and Lever Handle



TOP VIEW SCALE: 3"=1'-0"



FRONT VIEW SCALE: 3"=1'-0"



SIDE VIEW SCALE: 3"=1'-0"