

Bond

BKM47P

Bond Solo Series One Hole Gooseneck Bar Faucet with Two-Piece Straight Lever Handle



SHOWN IN BOND SOLO SERIES ONE HOLE GOOSENECK BAR FAUCET WITH TWO-PIECE STRAIGHT LEVER HANDLE | BKM47P

TECHNICAL DETAILS

ADA Compliance: Yes
Deck Thickness Maximum: 38 mm
Deck Thickness Minimum: 6 mm
Fittings Hole Diameter: 35 mm
Handle Turn Angle: Quarter Turn
Inlet Connection Size: 3/8"
Inlet Connection Type: Compression Connection
Hoses
Restricted Maximum Flow Rate: 4.5 liters/min
Spout Swivel: Y
Valve Material: Ceramic
Water Pressure Maximum: 6.0 bar
Water Pressure Minimum: 1.5 bar
Water Pressure Recommended: 3.0 bar

INSPIRATION

Modern designs infused with rare soul and artistry. Explore our wide range of Bond bath and kitchen elements, from fittings to fixtures to hardware.

CODES & STANDARDS

BKM47PX, NSF/ANSI/CAN 61:Q < 1, NSF/ANSI/CAN 372, ASME A112.18.1/CSA B125.1, CEC, State of MA

PRODUCT FEATURES

Lever Handle

Handle rotates toward the front to prevent contact with backsplash

Features Two-Piece Straight Lever Handle

Stocked in Chrome, Nickel, Brass and Dark Nickel

Available in 1.2gpm (4.5L/min) flow rate

CERTIFICATIONS



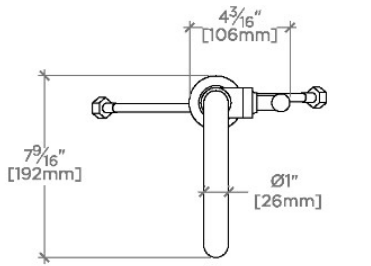
PRODUCT (NOTES)

WATERWORKS

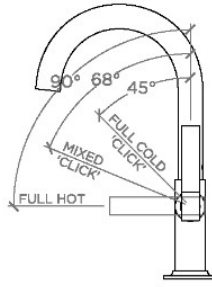
Bond

BKM47P

Bond Solo Series One Hole Gooseneck Bar Faucet with Two-Piece Straight Lever Handle

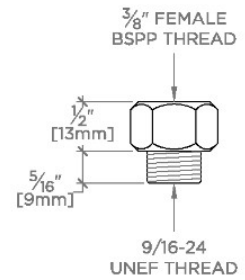
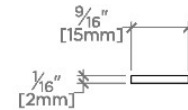


TOP VIEW SCALE: 1/2"=1'-0"

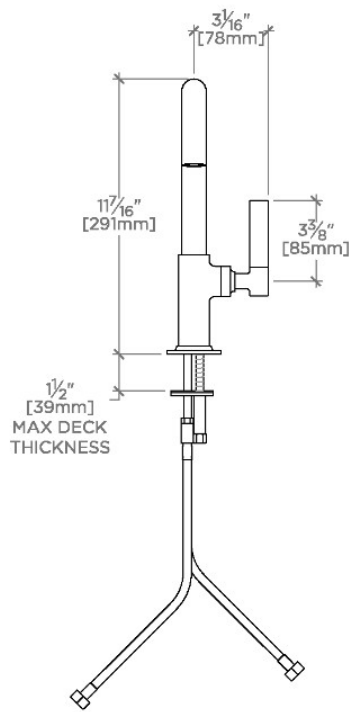


HANDLE OPERATION SCALE: 1/2"=1'-0"

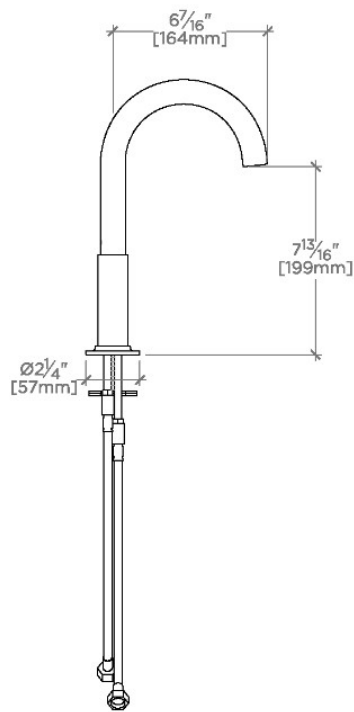
NOTE:
ADAPTER AND GASKET (x2)
INCLUDED - INTERNATIONAL
USE ONLY



NOT TO SCALE



FRONT VIEW SCALE: 1/2"=1'-0"



SIDE VIEW SCALE: 1/2"=1'-0"