

## CALAIS

Calais One Hole Gooseneck Kitchen Faucet, Metal Lever Handles

CSKM42



SHOWN IN CALAIS ONE HOLE GOOSENECK KITCHEN FAUCET, METAL LEVER HANDLES| CSKM42

### TECHNICAL DETAILS

ADA Compliance: Yes  
Deck Thickness Maximum: 32 mm  
Deck Thickness Minimum: 0 mm  
Fittings Hole Diameter: 32 mm  
Flow Restriction Options: 1.5, 1.0  
Handle Spread Maximum: 130 mm  
Handle Spread Minimum: 130 mm  
Inlet Connection Size: 3/8"  
Inlet Connection Type: Straight Female Threads  
Inlet Supply Spread Maximum: 16 mm  
Inlet Supply Spread Minimum: 16 mm  
Primary Material: Brass  
Restricted Maximum Flow Rate: 8.3 liters/min  
Spray Included in Unit: N  
Suggested Application: Bar, Kitchen, Laundry  
Valve Material: Ceramic  
Water Pressure Maximum: 6.0 bar  
Water Pressure Minimum: 1.5 bar  
Water Pressure Recommended: 3.0 bar

### INSPIRATION

The rich finishes of our Calais collection make these uniquely styled fittings an attraction in any kitchen or bar.

### CODES & STANDARDS

Code # CSKM42: CEC

### PRODUCT FEATURES

Standard flow rate is 2.2gpm (8.3 L/min) and State of California requires a maximum of 1.8gpm(6.8 L/min). Also available in other flow options. Contact a sales associate for details.

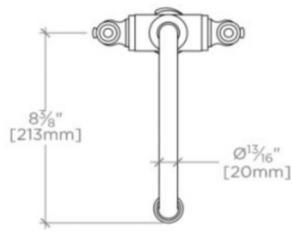
### CERTIFICATIONS



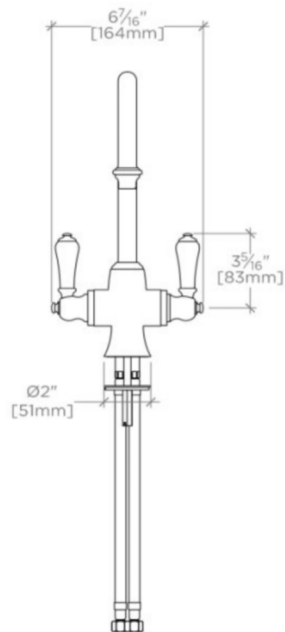
## CALAIS

## CSKM42

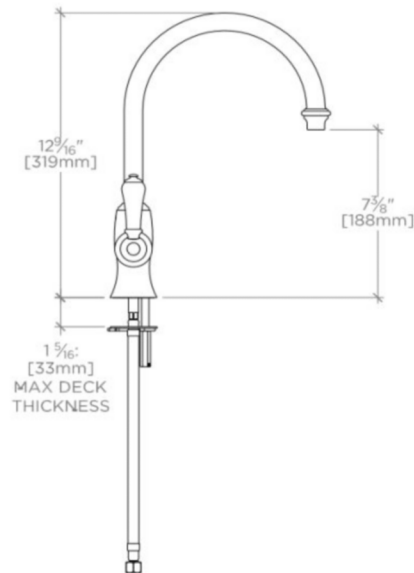
Calais One Hole Gooseneck Kitchen Faucet, Metal Lever Handles



TOP VIEW SCALE:  $1\frac{1}{2}$ "=1'-0"



FRONT VIEW SCALE:  $1\frac{1}{2}$ "=1'-0"



SIDE VIEW SCALE:  $1\frac{1}{2}$ "=1'-0"