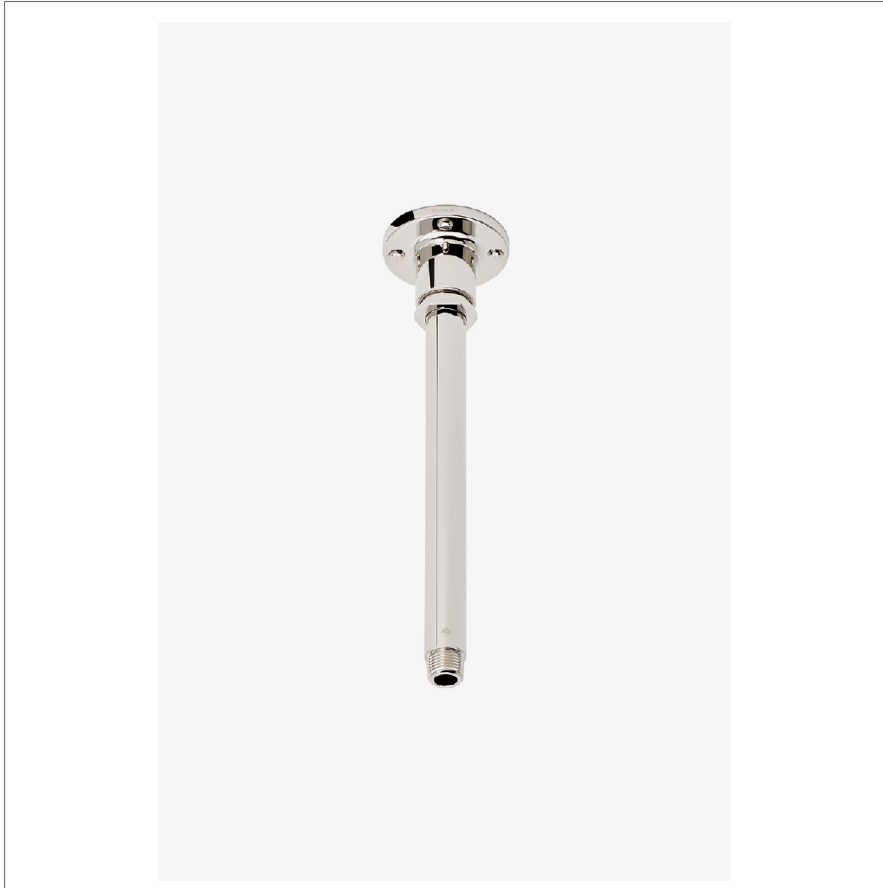


## REGULATOR

RGCH12

Regulator 12" Ceiling Mounted Shower Arm with Flange



SHOWN IN REGULATOR 12" CEILING MOUNTED SHOWER ARM WITH FLANGE | RGCH12

### TECHNICAL DETAILS

Fittings Hole Diameter: 1 1/4"  
Inlet Connection Size: 1/2"  
Inlet Connection Type: Male NPT  
Outlet Connection Size: 1/2"  
Outlet Connection Type: Male NPT  
Water Pressure Recommended: 45.0 psi

### INSPIRATION

A play on industrial controls from the early 1900s, when pride was lavished on parts. Translated to handcrafted, fittings project rugged beauty through powerful, detailed shapes.

### CODES & STANDARDS

### PRODUCT FEATURES

Compatible with an assortment of Waterworks showerheads, sold separately

Brass Construction

Includes 12" ceiling mounted shower arm

Stocked in Chrome, Nickel and Brass

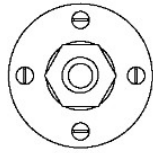
### CERTIFICATIONS

### PRODUCT (NOTES)

## REGULATOR

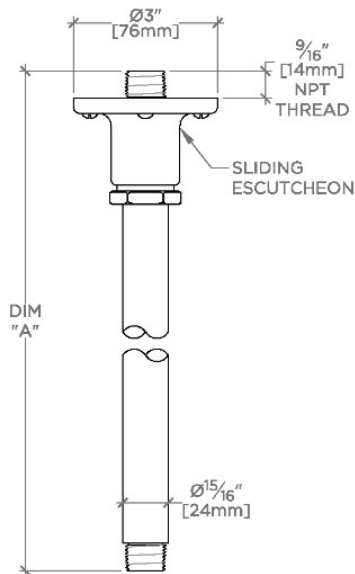
## RGCH12

Regulator 12" Ceiling Mounted Shower Arm with Flange

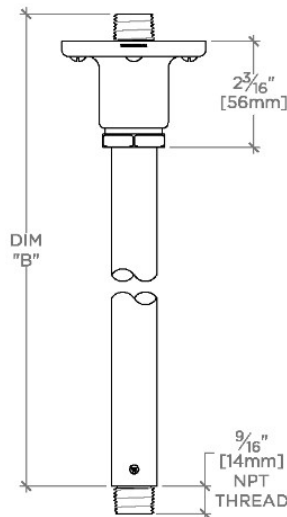


CEILING VIEW SCALE: 3"=1'-0"

STYLE NO.	DIM "A"	DIM "B"
RGCH06	7 <sup>1</sup> / <sub>8</sub> " [181mm]	6 <sup>9</sup> / <sub>16</sub> " [167mm]
RGCH12	13 <sup>1</sup> / <sub>8</sub> " [334mm]	12 <sup>9</sup> / <sub>16</sub> " [319mm]
RGCH18	19 <sup>1</sup> / <sub>8</sub> " [486mm]	18 <sup>9</sup> / <sub>16</sub> " [471mm]
RGCH24	25 <sup>1</sup> / <sub>8</sub> " [639mm]	24 <sup>9</sup> / <sub>16</sub> " [624mm]



FRONT VIEW SCALE: 3"=1'-0"



SIDE VIEW SCALE: 3"=1'-0"