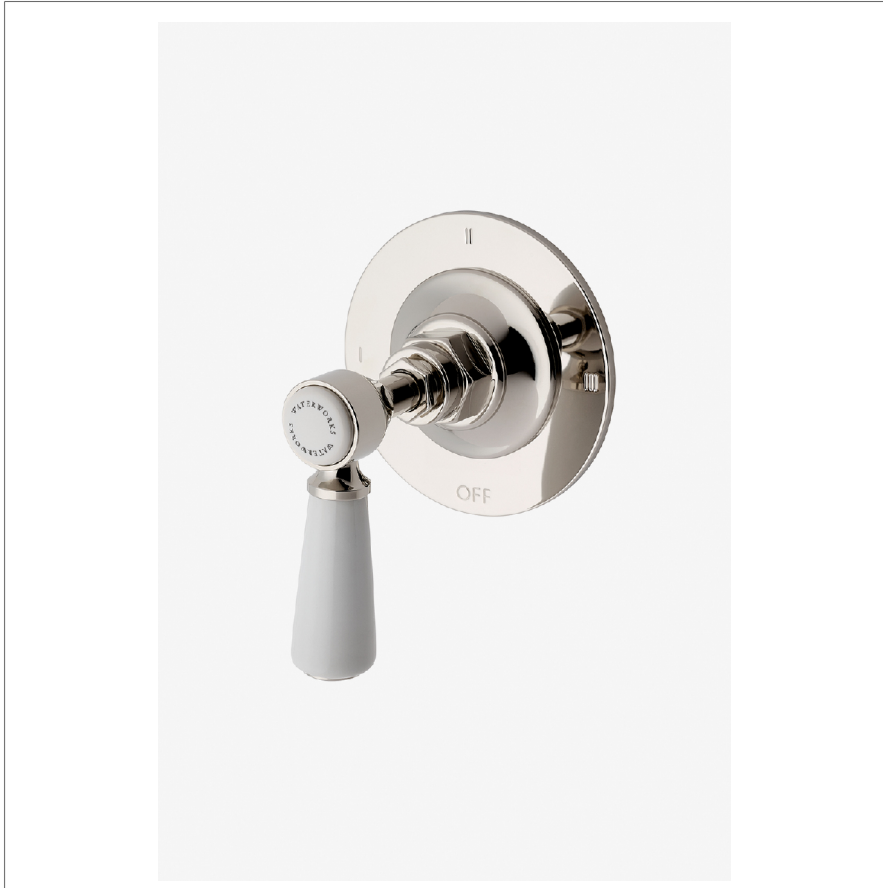


HIGHGATE

HG3T10

Highgate Three Way Diverter Valve Trim for Thermostatic with Roman Numerals and Porcelain Lever Handle



SHOWN IN HIGHGATE THREE WAY DIVERTER VALVE TRIM FOR THERMOSTATIC WITH ROMAN NUMERALS AND PORCELAIN LEVER HANDLE | HG3T10

INSPIRATION

Our take on old English style: simple, functional shapes, detailed with white porcelain indices and hexagonal accents for a timeless feel.

PRODUCT FEATURES

Lever Handle

For Use With a Thermostatic Shower System and Three Waterway Outlets

Features Roman Numerals Representing Outlet Position

Stocked in Chrome, Nickel, Brass

Requires Rough Valve, Sold Separately: GUDV3T (US) GU66DV (UK)

TECHNICAL DETAILS

ADA Compliance: Yes
Fittings Hole Diameter: 2"
Number Of Holes: One Hole
Primary Material: Brass

CODES & STANDARDS

HG3T10X, ASME A112.18.1/CSA B125.1

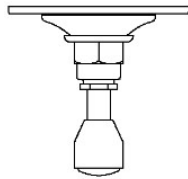
CERTIFICATIONS

PRODUCT (NOTES)

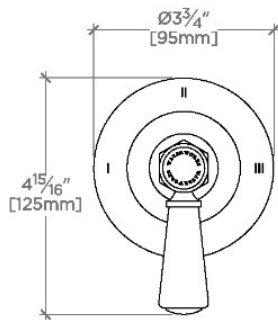
HIGHGATE

HG3T10

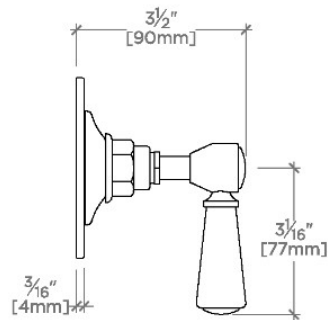
Highgate Three Way Diverter Valve Trim for Thermostatic
with Roman Numerals and Porcelain Lever Handle



TOP VIEW SCALE: 3"=1'-0"



FRONT VIEW SCALE: 3"=1'-0"



SIDE VIEW SCALE: 3"=1'-0"