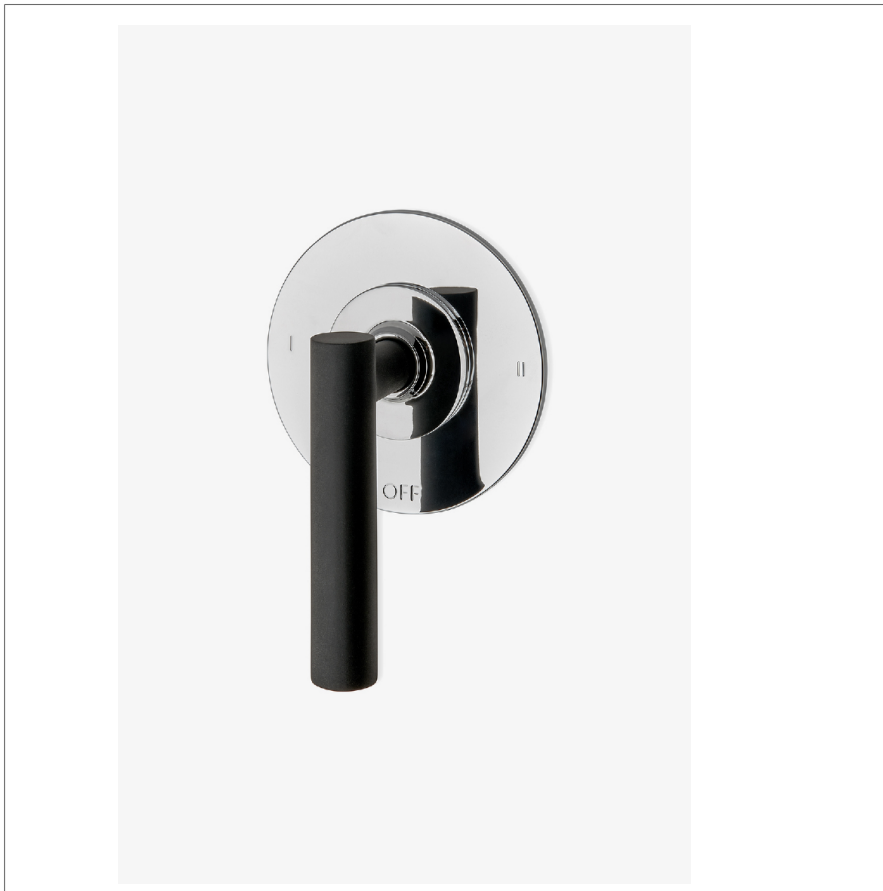


Bond

B2T12S

Bond Rally Series Two Way Thermostatic Diverter Trim with Roman Numerals and Lever Handle



SHOWN IN BOND RALLY SERIES TWO WAY THERMOSTATIC DIVERTER TRIM WITH ROMAN NUMERALS AND LEVER HANDLE | B2T12S

INSPIRATION

Modern designs infused with rare soul and artistry. Explore our wide range of Bond bath and kitchen elements, from fittings to fixtures to hardware.

PRODUCT FEATURES

Lever Handle

Features a Sport Black Finish, smooth and velvety to the touch

Stocked in Chrome/Sport Black

Requires rough valve, sold separately: GUDV2T (USA) or GU2TDV (UK/International)

TECHNICAL DETAILS

ADA Compliance: Yes
Fittings Hole Diameter: 51 mm
Number Of Holes: One Hole
Primary Material: Brass

CODES & STANDARDS

ASME A112.18.1/CSA B125.1, State of MA

CERTIFICATIONS

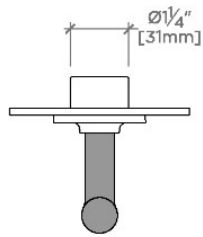


PRODUCT (NOTES)

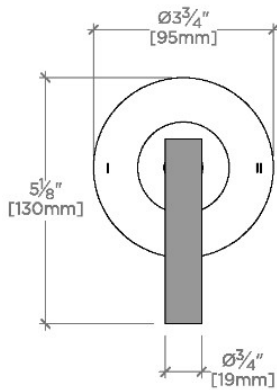
Bond

B2T12S

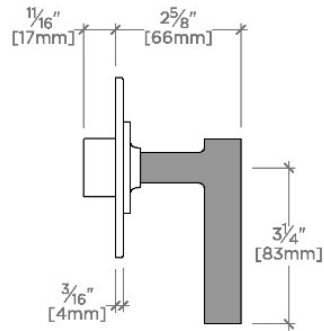
Bond Rally Series Two Way Thermostatic Diverter Trim with Roman Numerals and Lever Handle



TOP VIEW SCALE: 3"=1'-0"



FRONT VIEW SCALE: 3"=1'-0"



SIDE VIEW SCALE: 3"=1'-0"