

## BOND

Bond 4" Concave Pull

BNHW13



FILEDESCRIPTION

### TECHNICAL DETAILS

---

Hardware Primary Material: Brass  
Hardware Shape: Pull  
Length: 127 mm

### INSPIRATION

---

Modern bath designs infused with rare soul and artistry. Explore a range of statement-making elements: fittings, washstands, mirrors and more.

### PRODUCT FEATURES

---

Solid brass

Machined and hand-finished

Made in the UK

Includes per fixing: M4 1" Screw and M4 1 1/2" screw

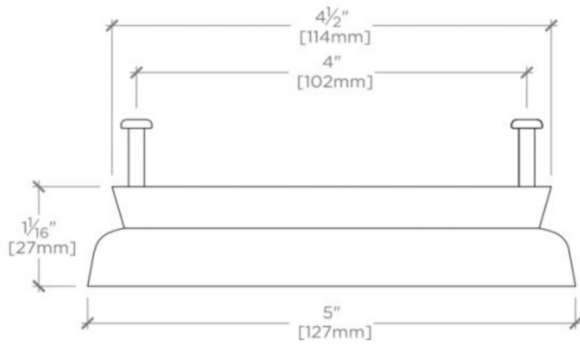
# WATERWORKS

## BOND

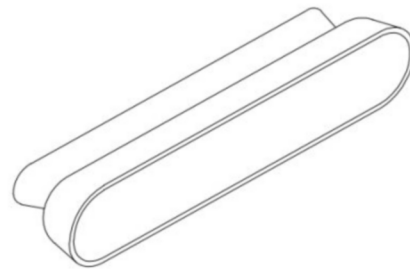
BNHW13

Bond 4" Concave Pull

| MOUNTING HARDWARE INCLUDED |   |      |
|----------------------------|---|------|
| STYLE #                    | DESCRIPTION   | QTY. |
| 998815                     | Service Parts M4 Pan Head Slot 1" Machine Screw     | 1    |
| 998816                     | Service Parts M4 Pan Head Slot 1 1/2" Machine Screw | 1    |



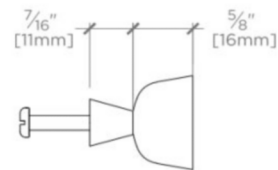
TOP VIEW SCALE: 6"=1'-0"



ISO VIEW SCALE: 6"=1'-0"



FRONT VIEW SCALE: 6"=1'-0"



SIDE VIEW SCALE: 6"=1'-0"