

WATERWORKS INSTALLATION GUIDELINES

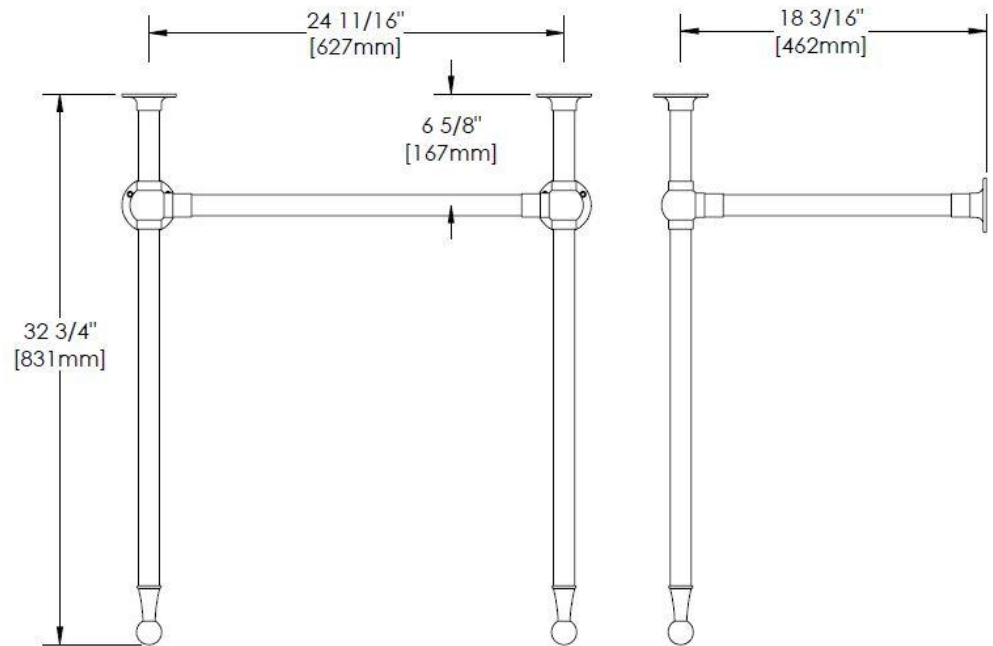


TECHNICAL DETAILS:

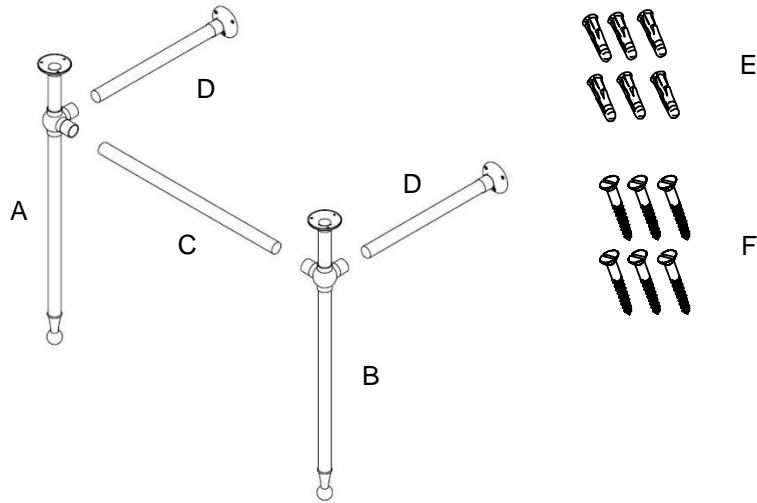
DETAIL	SPECIFICATION
ADJUSTABLE LEVELERS/FEET	YES
LEG MATERIAL	BRASS
STORAGE CAPACITY	None
TOP ATTACHMENT METHOD	Silicone
WEIGHT	16.5 LBS [17.5KG]

IMPORTANT:

- To ensure this product is installed properly, you must read and follow these guidelines.
- The owner/user of this product must keep this information for future reference.
- Install adequate blocking or position over a stud to properly secure the fixture.
- Inspect this product, upon receiving, to ensure it is the correct model and you have all parts required for proper installation.
- Slab top, fittings, and lavatory sold separately.
- This product must be installed by a professional licensed contractor. Be sure your installation conforms to all federal, state, and local codes.
- Take all necessary precautions to ensure that this product is protected during installation.
- Ensure the floor is level and the weight of this product will be adequately supported.
- The use of certain plumber's putty may stain stone or tile surfaces.

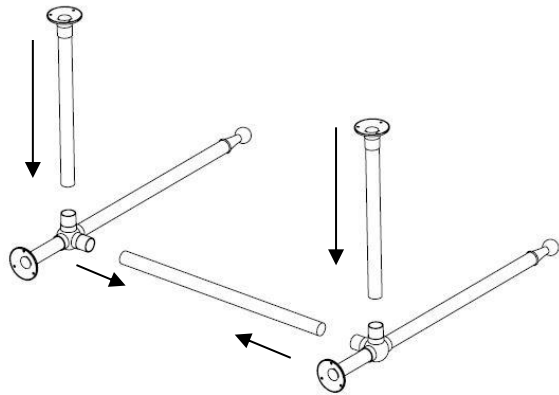


WATERWORKS INSTALLATION GUIDELINES

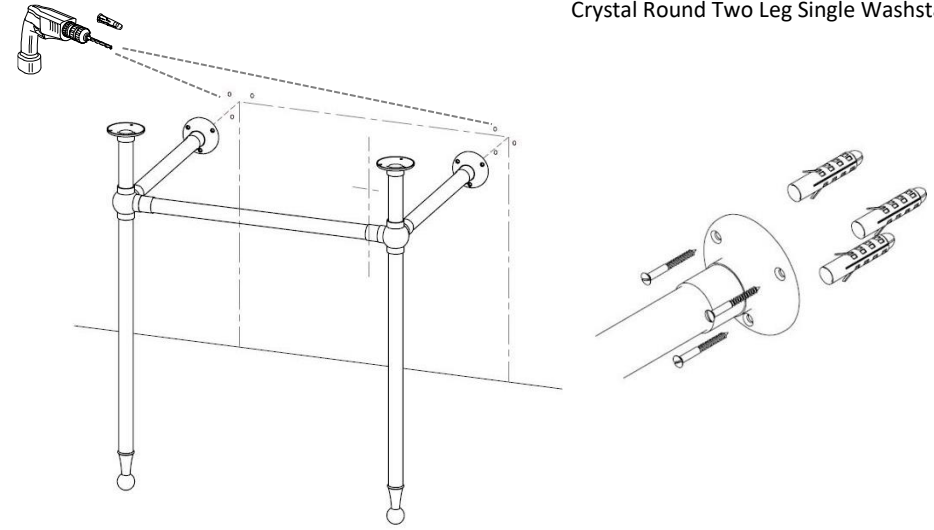


Contents

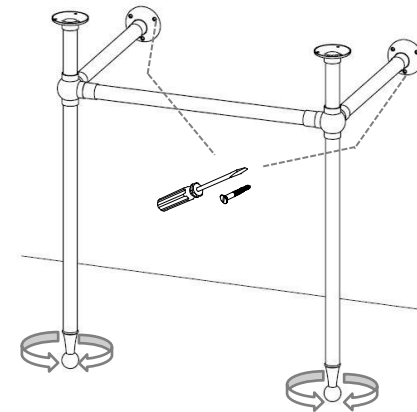
- | | |
|---------------------------|----------------------------------|
| A. 1 x Left Leg Assembly | E. 12 x Wall Anchors |
| B. 1 x Right Leg Assembly | F. 12 x No.8 Wall Screws 2" Long |
| C. 1 x Front Rail | |
| D. 2 x Side Rail | |



- Place the parts on a protective sheet to avoid damaging any of the surface finishes during assembly.
- Insert Horizontal Cross Rail into the leg connections as shown (Orientation identified by Left & Right Labels) and secure with a small amount of transparent silicone or similar appropriate glue for binding glass/metal.
- Secure both Side Rails into the right and left leg assemblies in the same way.



- To measure / mark the positions for the wall screws, place Washstand against the wall.
- Place Level on top of Legs and adjust the feet accordingly until it is level.
- Mark Vertical Center Line (for the Waste) and lines equally either side for the Washstand Legs.
- Using pencil, mark the position of the Screw Holes
- Drill 6 x Holes in Wall using $\varnothing 7/32"$ Drill Bit - Push Anchors (E) into each hole.



- Using Wall Screws (F) - fix Wall Plates securely to the wall using Screwdriver (DO NOT USE DRILL).
- Make any water connections and fix basin in place.
- Final leg adjustments can be made to support basin by rotating the ball part of the foot.