

Aero

AETH58

Aero Thermostatic Control Valve Trim with Metal Lever Handle



SHOWN IN AERO THERMOSTATIC CONTROL VALVE TRIM WITH METAL LEVER HANDLE | AETH58

TECHNICAL DETAILS

ADA Compliance: Yes
 Depth/Width: 76 mm
 Escutcheon Primary Material: Brass
 Height: 152 mm
 Integrated Diverter: N
 Length: 152 mm
 Number Of Handles: One
 Primary Material: Brass
 Suggested Application: Bath

INSPIRATION

Inspired by the stepped detail of 19th century telescopes, Aero is a combination of historical reference with a contemporary temperament. The result is original and modern, bringing a look of updated elegance.

CODES & STANDARDS

ASME A112.18.1/CSA B125.1

PRODUCT FEATURES

Metal lever handle

Allows bather to adjust temperature of all waterway outlets with a hot limit safety stop providing anti-scald protection

Features signature stepped and gadrooned details

Stocked in Chrome and Nickel

Requires rough valve, sold separately: GUTH37 (US) / GU37TH (UK)

CERTIFICATIONS



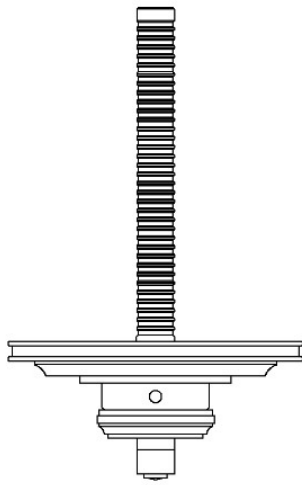
PRODUCT (NOTES)

Requires valve GUSV37 sold separately.

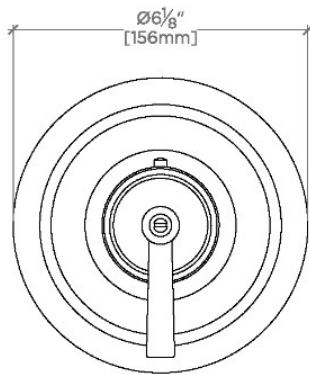
Aero

AETH58

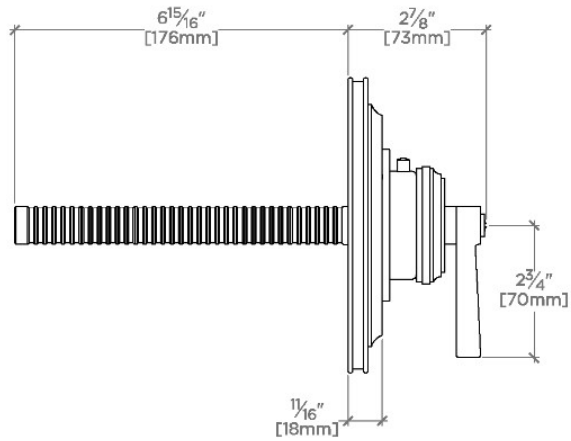
Aero Thermostatic Control Valve Trim with Metal Lever Handle



TOP VIEW SCALE: 3"=1'-0"



FRONT VIEW SCALE: 3"=1'-0"



SIDE VIEW SCALE: 3"=1'-0"