

WATERWORKS

INSTALLATION GUIDELINES

IMPORTANT:

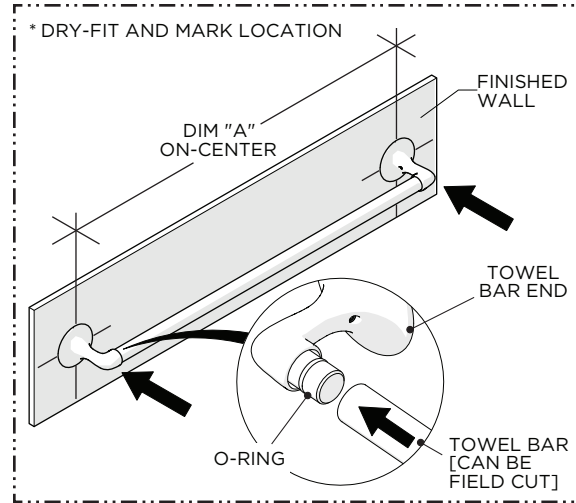
- To ensure this product is installed properly, you must read and follow these guidelines.
- The owner/user of this product must keep this information for future reference.
- This product must be installed by a professional licensed contractor.
- Inspect this product to ensure you have all the parts required for proper installation.
- DRYWALL ANCHORS for a typical drywall installation are provided. Do **NOT** use the ANCHORS if mounting directly onto wood blocking or a stud.
- If further assistance is required, please contact Product Support at 1-800-927-2120 Monday through Friday, 8am - 6pm EST.
- Refer to the separate Service Parts Documents for available replacement parts

TECHNICAL DETAILS:

DETAIL	SPECIFICATION
PRIMARY MATERIAL	BRASS
TUBE DIAMETER	13/16" [20mm]

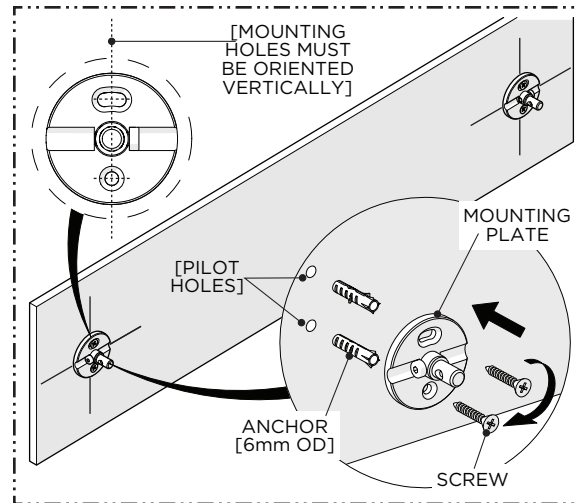
ON-CENTER SPREAD:

STYLE	DIM "A"
RRTB24	24" [610mm] ADJUSTABLE



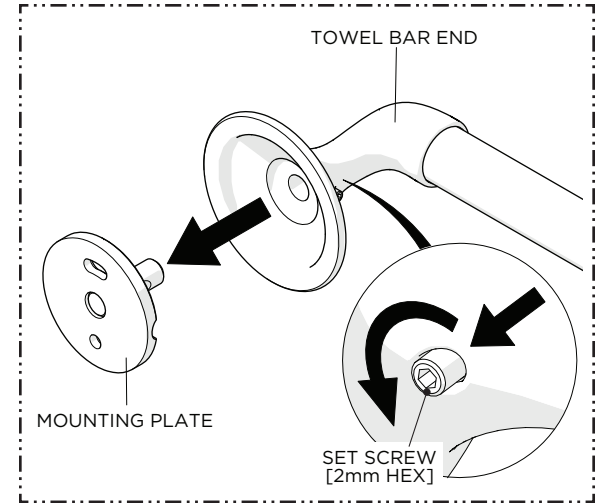
1. Ensure the TOWEL BAR is fully seated into the TOWEL BAR ENDS then dry-fit the assembly to the finished wall and mark the ideal location making sure to hold the BAR level.

NOTE: The BAR may be field cut.

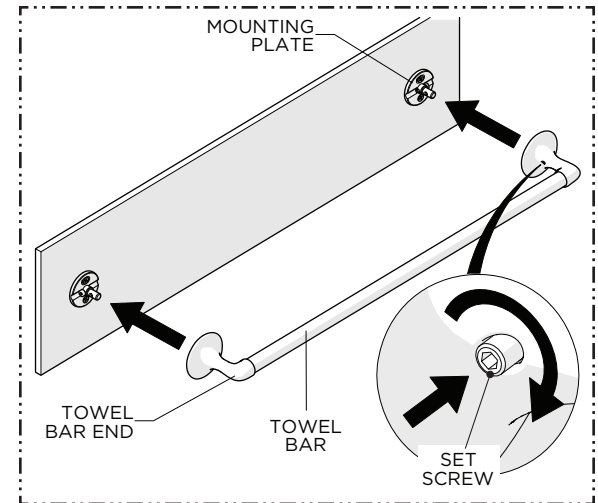


3. Using the previous marks as a reference, install the MOUNTING PLATES using the ANCHORS, if necessary, and SCREWS provided.

CAUTION: Ensure the PLATES are in the proper orientation, level, and at the proper spread.



2. Loosen, but do NOT remove, the SET SCREW on the side of the TOWEL BAR ENDS and remove the MOUNTING PLATES.



4. Slide the TOWEL BAR ENDS over the MOUNTING PLATES until they contact the finished wall then thread and securely tighten the SET SCREWS.