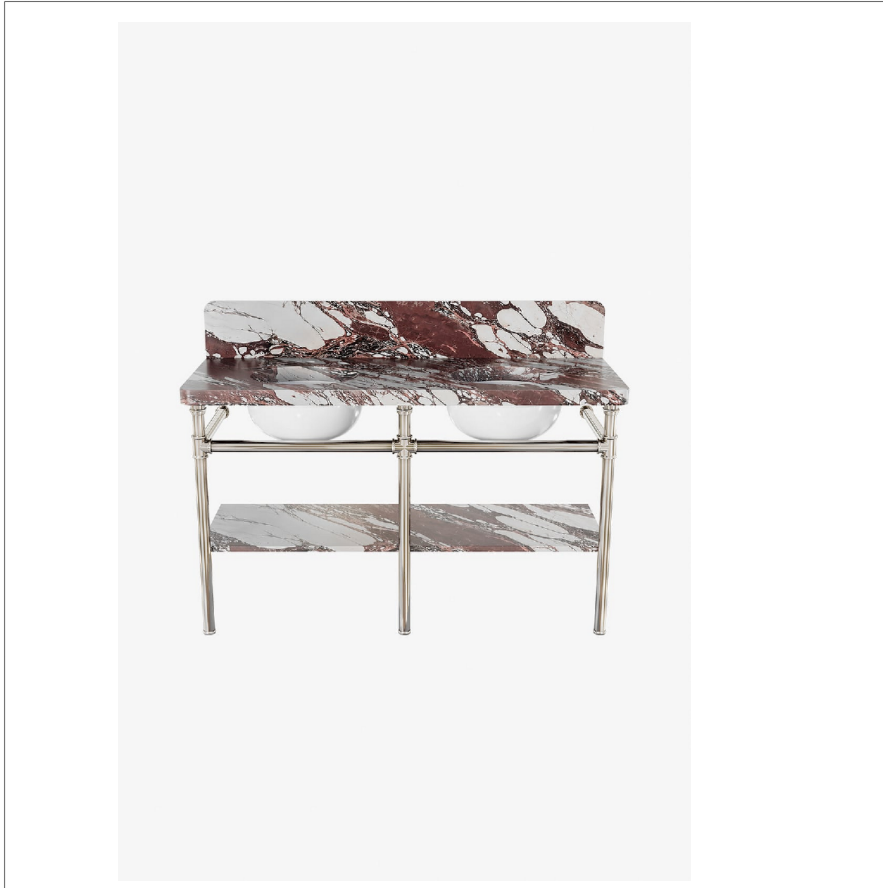


Henry

HNWS55

Metal Round Double Three Leg Washstand



SHOWN IN METAL ROUND DOUBLE THREE LEG WASHSTAND | HNWS55

TECHNICAL DETAILS

ADA Compliance: No
Adjustable Levelers Feet: N
Depth/Width: 508 mm
Height: 838 mm
Leg Material: Metal
Length: 1397 mm
Number Of Legs: Four
Primary Material: Brass
Sink Visibility: N

INSPIRATION

Celebrating the connection of industry and art, Henry transitions effortlessly between modern, traditional, and classic settings. These iconic fittings blend 19th-century industrial and artistic references for a look that's forever of the moment—familiar yet wholly original.

CODES & STANDARDS

PRODUCT FEATURES

Solid Brass

Made in the UK

Slab and backsplash carved from a solid block of stone.

Includes sink and choice of 5CM stone top in one of our 8 standard offerings

CERTIFICATIONS

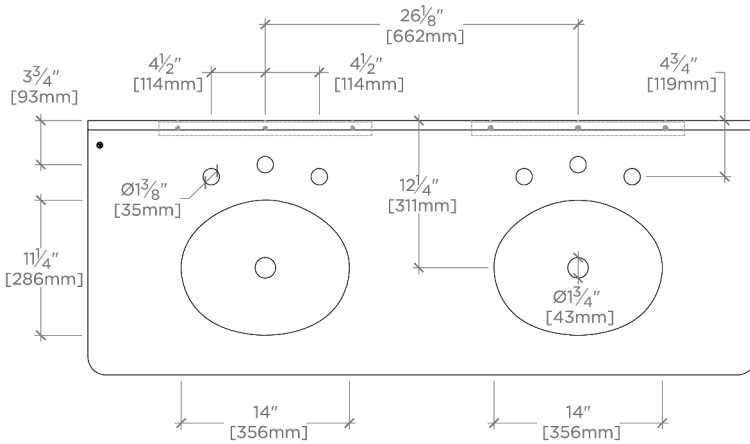
PRODUCT (NOTES)

WATERWORKS

Henry

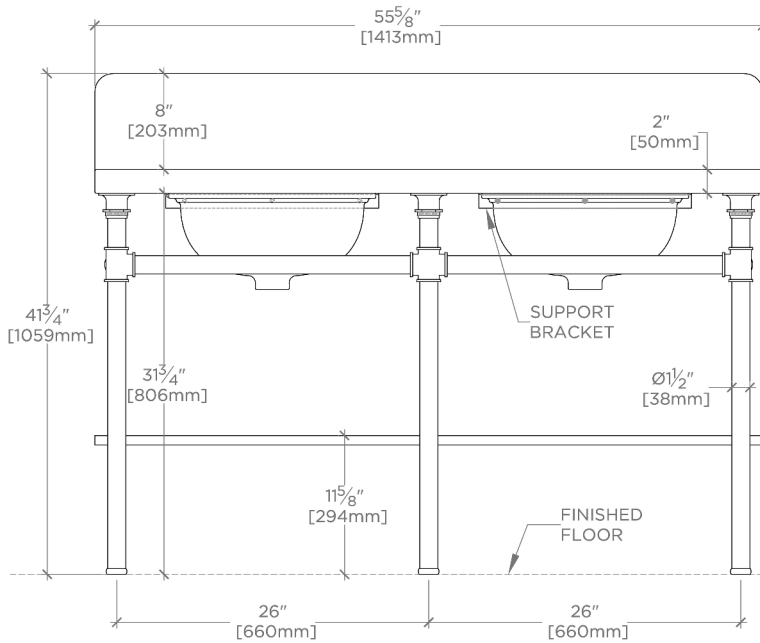
Metal Round Double Three Leg Washstand

HNWS55



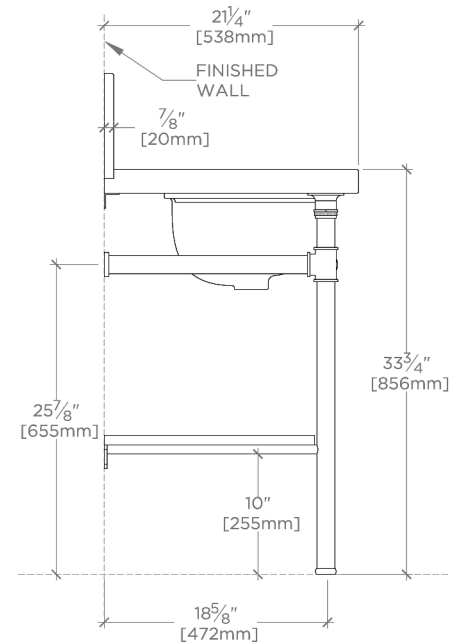
TOP VIEW

SCALE: 3/4"=1'-0"



FRONT VIEW

SCALE: 3/4"=1'-0"



SIDE VIEW

SCALE: 3/4"=1'-0"