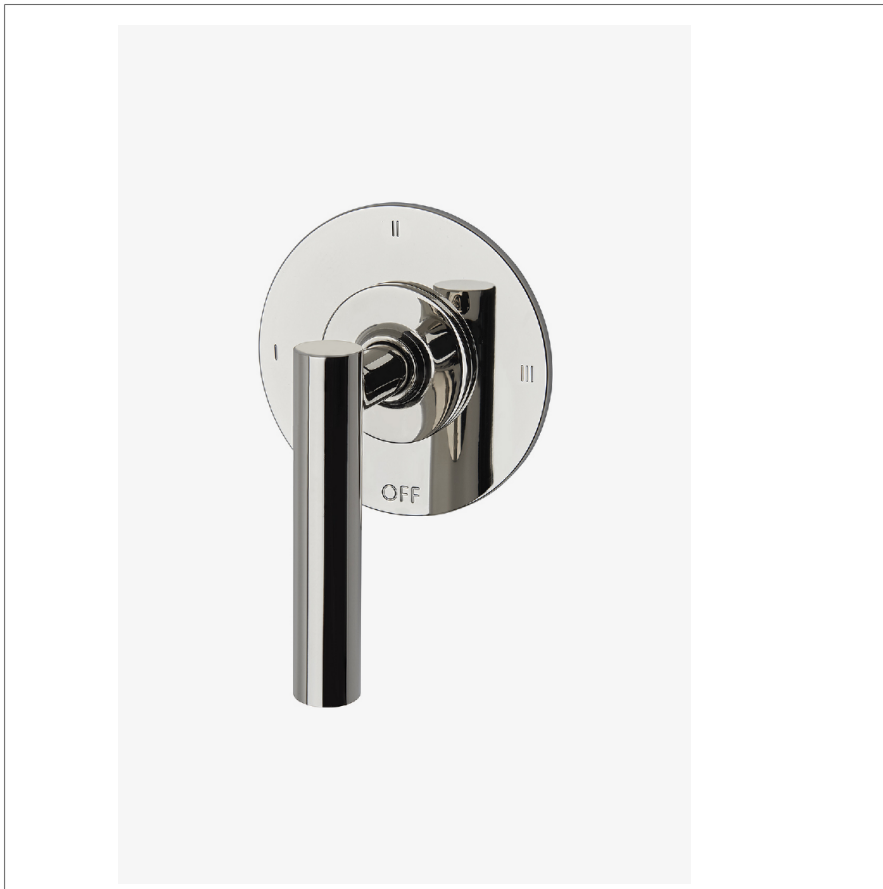


Bond

B3T120

Bond Solo Series Three Way Thermostatic Diverter Trim with Roman Numerals and Straight Lever Handle



SHOWN IN BOND SOLO SERIES THREE WAY THERMOSTATIC DIVERTER TRIM WITH ROMAN NUMERALS AND STRAIGHT LEVER HANDLE | B3T120

TECHNICAL DETAILS

ADA Compliance: Yes
 Fittings Hole Diameter: 51 mm
 Number Of Holes: One Hole
 Primary Material: Brass

INSPIRATION

Modern designs infused with rare soul and artistry. Explore our wide range of Bond bath and kitchen elements, from fittings to fixtures to hardware.

CODES & STANDARDS

ASME A112.18.1/CSA B125.1, State of MA

PRODUCT FEATURES

Lever Handle

For use with a Thermostatic shower system and three waterway outlets such as a handshower, shower head, and tub spout

Stocked in Chrome, Nickel, Brass and Dark Nickel

Requires rough valve, sold separately: GUDV66 (USA) or GU66DV (UK/International)

CERTIFICATIONS

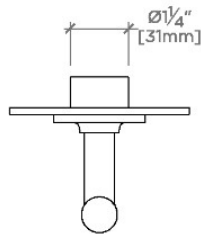


PRODUCT (NOTES)

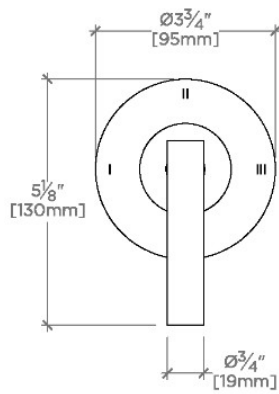
Bond

B3T120

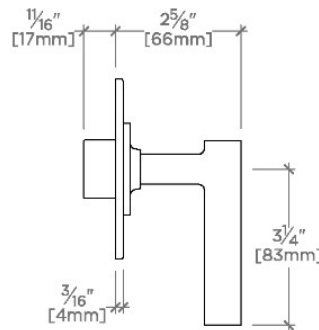
Bond Solo Series Three Way Thermostatic Diverter Trim with Roman Numerals and Straight Lever Handle



TOP VIEW SCALE: 3"=1'-0"



FRONT VIEW SCALE: 3"=1'-0"



SIDE VIEW SCALE: 3"=1'-0"