

## Vector

VECT02

Vector Freestanding Solid Surface Bathtub 71" x 37" x 24"



SHOWN IN VECTOR FREESTANDING SOLID SURFACE BATHTUB 71" X 37" X 24" | VECT02

### TECHNICAL DETAILS

Adjustable Levelers Feet: N  
 Bathing Type: Bathing and Soaking  
 Bathing Well Sitting Angle: 105 degree\_angle  
 Depth To Overflow: 411 mm  
 Drain Hole Depth: 49 mm  
 Drain Hole Diameter: 56 mm  
 Drilling Option: None  
 Installation Type: Freestanding  
 Overflow Hole Diameter: 70 mm  
 Overflow Opening: Yes  
 Primary Material: stone  
 Single Or Double Ended: Double Ended  
 Suggested Application: Bath

### INSPIRATION

Named after the mathematically precise term for direction and magnitude, this tub embodies sleek, forward-thinking design. Bold and sculptural, its heavy walls and substantial, seamless form convey a commanding architectural presence.

### CODES & STANDARDS

CSA B45.5/IAPMO Z124

### PRODUCT FEATURES

Designed by and exclusive to Waterworks

Refined matte finish with a luxurious soft touch feel

Durable, scratch resistant, and seamless repairability

Bold and sculptural, its heavy walls and substantial, seamless form convey a commanding architectural presence

Required Drain and Overflow: UNWO25

### CERTIFICATIONS



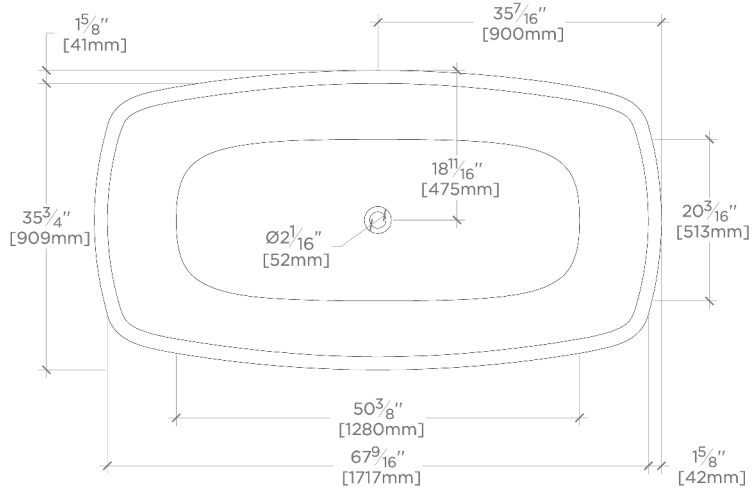
### PRODUCT (NOTES)

## Vector

VECT02

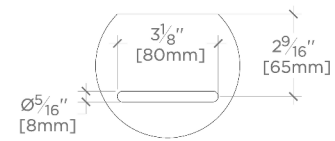
Vector Freestanding Solid Surface Bathtub 71" x 37" x 24"

REQUIRED DRAIN UNWO25

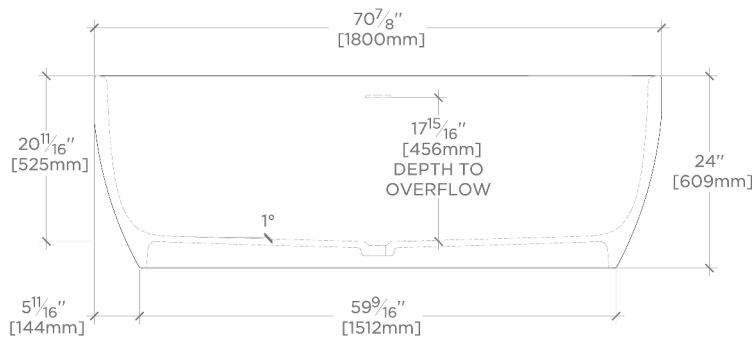


TOP VIEW

SCALE: 1/2"=1'-0"

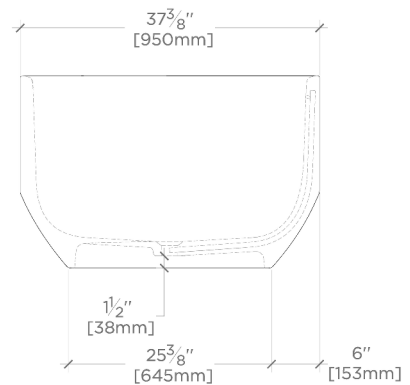


OVERFLOW DETAIL



SIDE VIEW

SCALE: 1/2"=1'-0"



END VIEW

SCALE: 1/2"=1'-0"