

LUDLOW

LDPB31

Ludlow Pressure Balance with Diverter Trim with Lever Handle



SHOWN IN LUDLOW PRESSURE BALANCE WITH DIVERTER TRIM WITH LEVER HANDLE | LDPB31

TECHNICAL DETAILS

ADA Compliance: Yes
Fittings Hole Diameter: 3 1/2"
Primary Material: Brass

INSPIRATION

Our fresh take on American industrial design comes in three styles, each of them clean-lined, and distinct to Waterworks.

CODES & STANDARDS

ASME A112.18.1/CSA B125.1, State of MA

PRODUCT FEATURES

Lever Handle

Adjust the single handle control to switch water on and adjust temperature

Stocked in a Chrome, Nickel and Brass

Requires valve rough GUPB87

CERTIFICATIONS

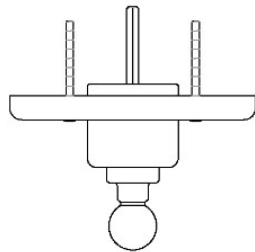


PRODUCT (NOTES)

LUDLOW

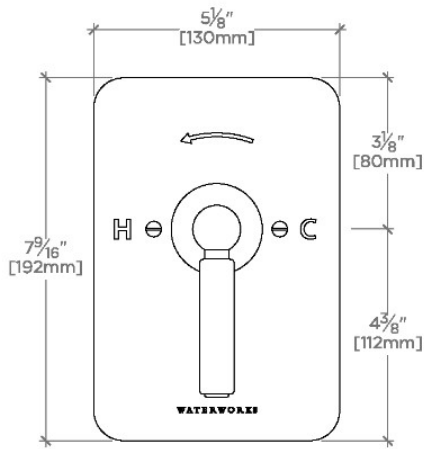
LDPB31

Ludlow Pressure Balance with Diverter Trim with Lever Handle



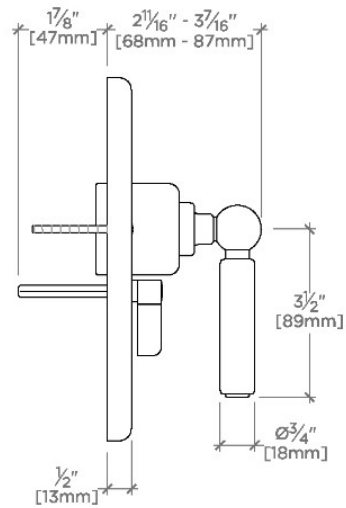
TOP VIEW

SCALE: 3"=1'-0"



FRONT VIEW

SCALE: 3"=1'-0"



SIDE VIEW

SCALE: 3"=1'-0"