

VECTOR

VECT02

Vector Freestanding Solid Surface Bathtub 71" x 37" x 24"



SHOWN IN VECTOR FREESTANDING SOLID SURFACE BATHTUB 71" X 37" X 24" | VECT02

TECHNICAL DETAILS

Adjustable Levelers Feet: N
 Bathing Type: Bathing and Soaking
 Bathing Well Sitting Angle: 105 degree_angle
 Depth To Overflow: 16 3/16"
 Drain Hole Depth: 1 15/16"
 Drain Hole Diameter: 2 3/16"
 Drilling Option: None
 Installation Type: Freestanding
 Overflow Hole Diameter: 2 3/4"
 Overflow Opening: Yes
 Primary Material: stone
 Single Or Double Ended: Double Ended
 Suggested Application: Bath

INSPIRATION

Named after the mathematically precise term for direction and magnitude, this tub embodies sleek, forward-thinking design. Bold and sculptural, its heavy walls and substantial, seamless form convey a commanding architectural presence.

CODES & STANDARDS

CSA B45.5/IAPMO Z124

PRODUCT FEATURES

Designed by and exclusive to Waterworks

Refined matte finish with a luxurious soft touch feel

Durable, scratch resistant, and seamless repairability

Bold and sculptural, its heavy walls and substantial, seamless form convey a commanding architectural presence

Required Drain and Overflow: UNWO25

CERTIFICATIONS



PRODUCT (NOTES)

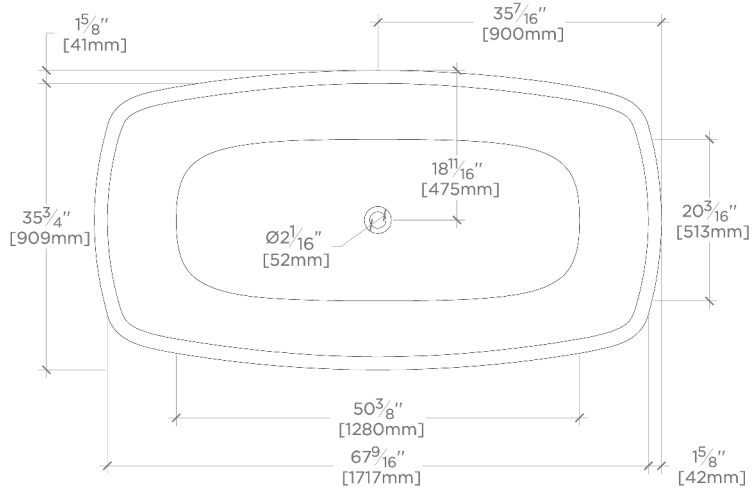
WATERWORKS

VECTOR

VECT02

Vector Freestanding Solid Surface Bathtub 71" x 37" x 24"

REQUIRED DRAIN UNWO25

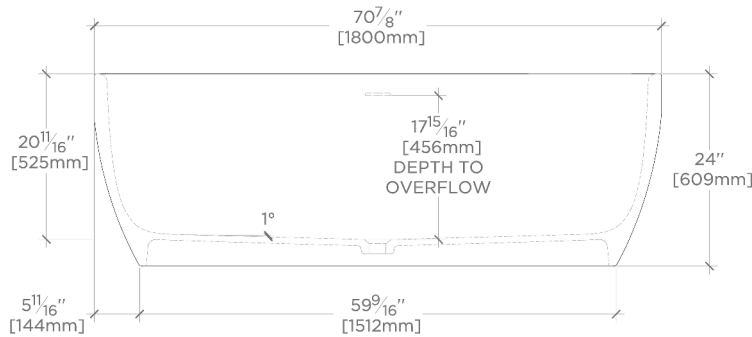


TOP VIEW

SCALE: 1/2"=1'-0"

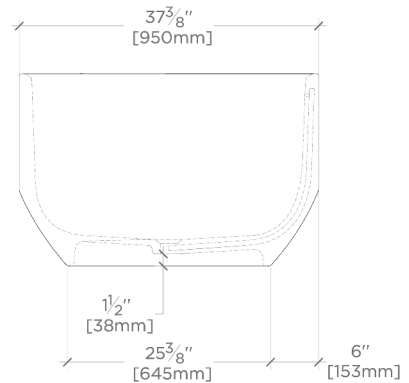


OVERFLOW DETAIL



SIDE VIEW

SCALE: 1/2"=1'-0"



END VIEW

SCALE: 1/2"=1'-0"