

Essentials

E106TW

Essentials Classic 230v Multi-Rail Towel Warmer with Shelf



SHOWN IN ESSENTIALS CLASSIC 230V MULTI-RAIL TOWEL WARMER WITH SHELF | E106TW

TECHNICAL DETAILS

Diameter Of Legs Tubes: 32 mm
Electric Requirements: 0.5A
Primary Material: Brass
Voltage: 230V
Wet/Dry: Wet or Dry

INSPIRATION

Choose with confidence: Well-crafted designs that work with any product in our overall assortment and elevate any setting. Explore a wide range of authentic elements, from freestanding, deck and wall-mounted accessories to furnishings.

CODES & STANDARDS

PRODUCT FEATURES

A standard in European hotels, an electric towel warmer is the ultimate in luxury

Made of brass

To best suit personal comfort level, we recommend installation with a dimmer switch.

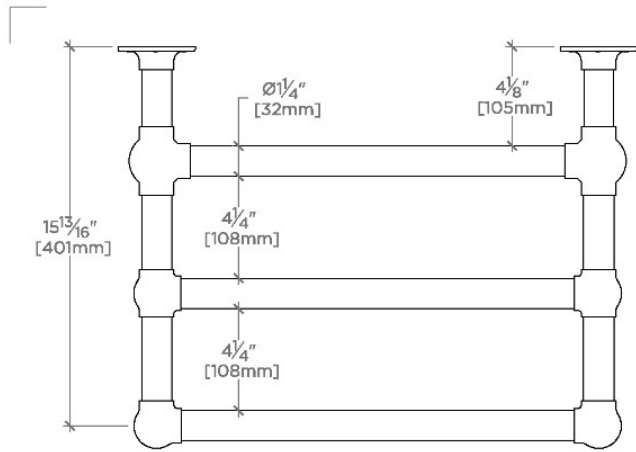
CERTIFICATIONS

PRODUCT (NOTES)

Essentials

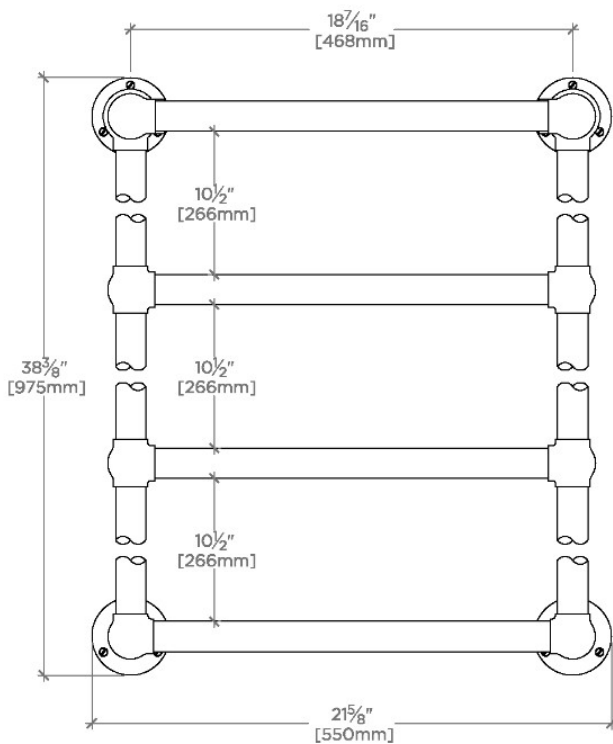
E106TW

Essentials Classic 230v Multi-Rail Towel Warmer with Shelf



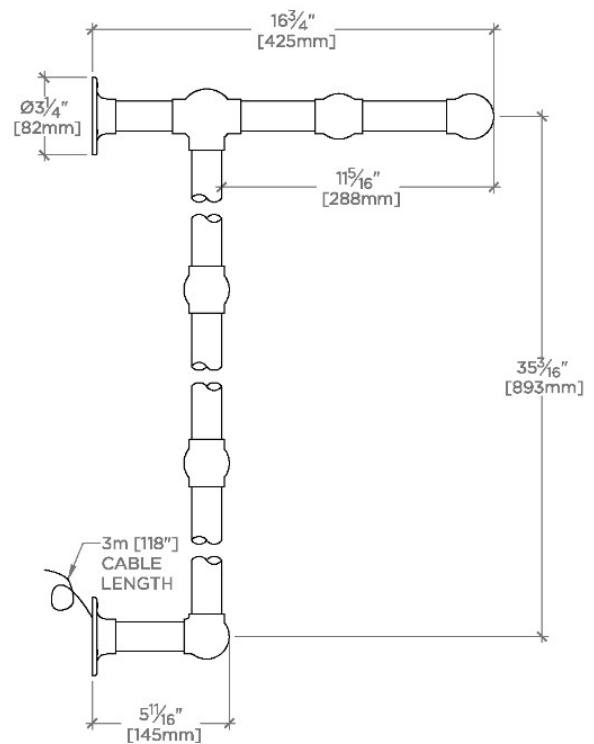
TOP VIEW

SCALE: $1\frac{1}{2}$ "=1'-0"



FRONT VIEW

SCALE: $1\frac{1}{2}$ "=1'-0"



SIDE VIEW

SCALE: $1\frac{1}{2}$ "=1'-0"