

REGULATOR

RG61LS

Regulator Low Profile Three Hole Wall Mounted Lavatory Faucet with Low Metal Wheel Handles



SHOWN IN REGULATOR LOW PROFILE THREE HOLE WALL MOUNTED LAVATORY FAUCET WITH LOW METAL WHEEL

TECHNICAL DETAILS

Adjustable versus Fixed Spray: Fixed
Control Valve Rough-in Depth Maximum: 140 mm
Control Valve Rough-in Depth Minimum: 67 mm
Drain Hole Diameter: 44 mm
Drain Style: Push Touch
Escutcheon Primary Material: Brass
Fittings Hole Diameter: 35 mm
Handle Spread Maximum: 203 mm
Handle Spread Minimum: 203 mm
Handle Turn Angle: Quarter Turn
Depth / Width: 225 mm
Height: 127 mm
Inlet Connection Size: 1/2"
Inlet Connection Type: Female NPT
Inlet Supply Spread Maximum: 203 mm
Inlet Supply Spread Minimum: 203 mm
Length: 321 mm
Primary Material: Brass
Suggested Application: Bath
Water Pressure Maximum: 6.0 bar
Water Pressure Minimum: 1.5 bar
Water Pressure Recommended: 3.0 bar

INSPIRATION

A play on industrial controls from the early 1900s, when pride was lavished on parts. Translated to handcrafted, fittings project rugged beauty through powerful, detailed shapes.

PRODUCT FEATURES

Metal Wheel Handle

Stocked in Nickel, Chrome and Unlacquered Brass

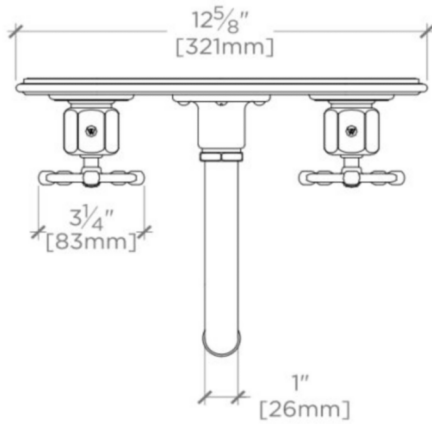
Standard flow rate is 2.2gpm (8.3 L/min) and State of California requires 1.2gpm(4.5 L/min). Also available in other flow options. Contact a sales associate for details.

WATERWORKS

REGULATOR

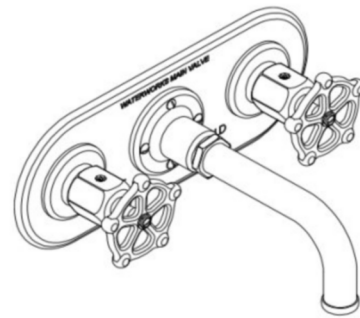
RG61LS

Regulator Low Profile Three Hole Wall Mounted Lavatory Faucet with Low Metal Wheel Handles



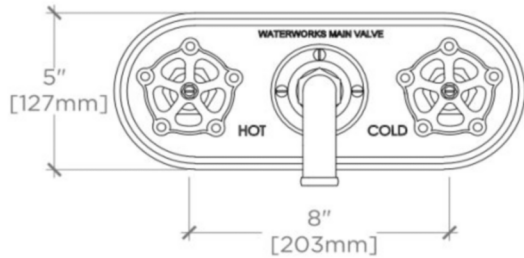
TOP VIEW

SCALE: 2"=1'-0"



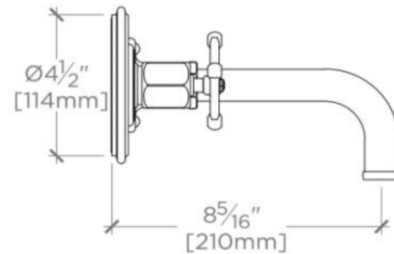
ISO VIEW

SCALE: 2"=1'-0"



FRONT VIEW

SCALE: 2"=1'-0"



SIDE VIEW

SCALE: 2"=1'-0"