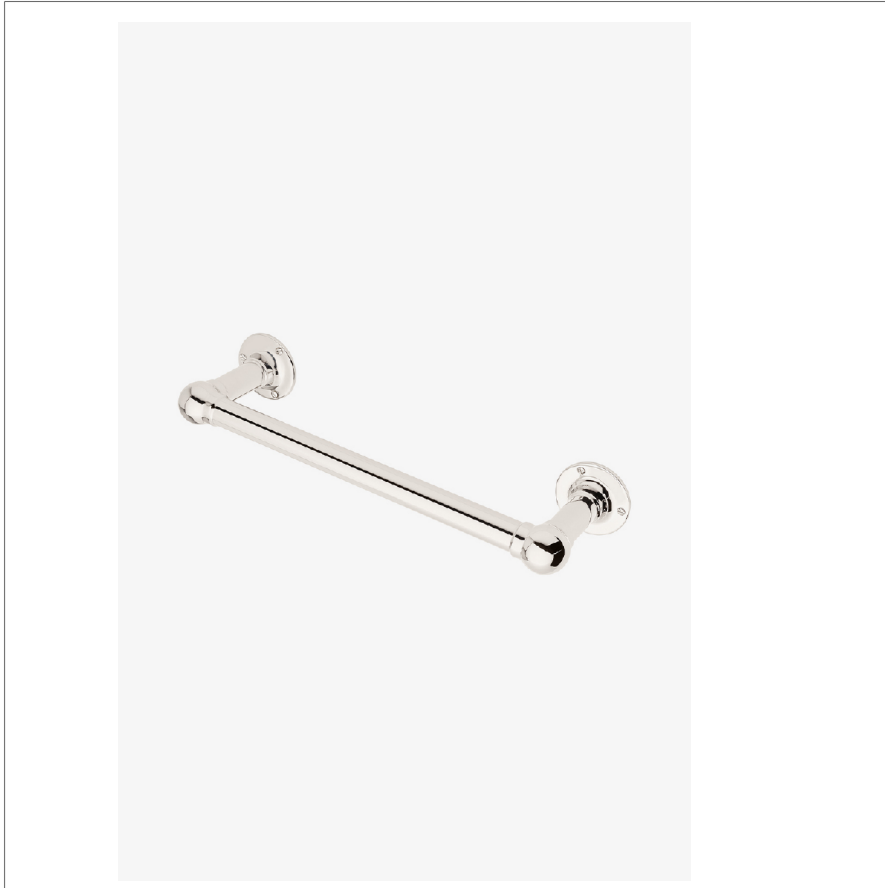


## Essentials

E101TW

Essentials Classic 230v Single-Rail Towel Warmer



SHOWN IN ESSENTIALS CLASSIC 230V SINGLE-RAIL TOWEL WARMER | E101TW

### TECHNICAL DETAILS

Diameter Of Legs Tubes: 32 mm  
Electric Requirements: 0.05A  
Primary Material: Brass  
Voltage: 230V  
Wet/Dry: Wet or Dry

### INSPIRATION

Choose with confidence: Well-crafted designs that work with any product in our overall assortment and elevate any setting. Explore a wide range of authentic elements, from freestanding, deck and wall-mounted accessories to furnishings.

### CODES & STANDARDS

### PRODUCT FEATURES

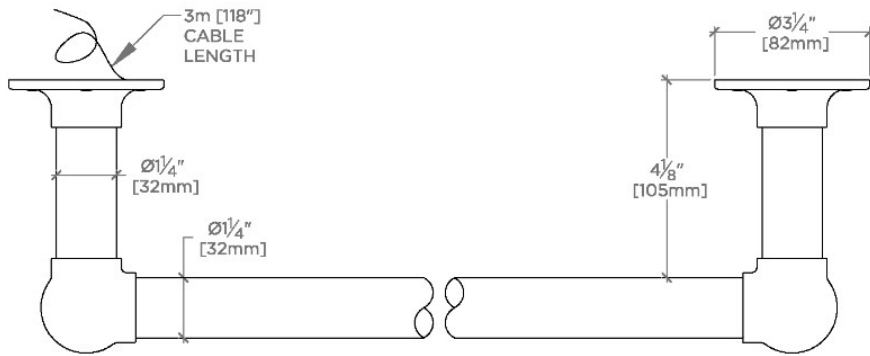
A standard in European hotels, an electric towel warmer is the ultimate in luxury

Made of brass

To best suit personal comfort level, we recommend installation with a dimmer switch.

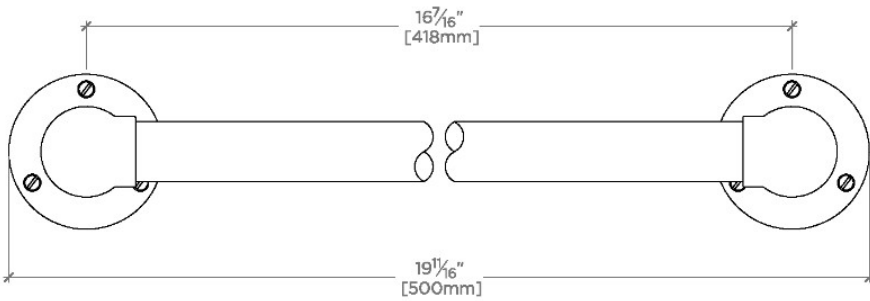
### CERTIFICATIONS

### PRODUCT (NOTES)



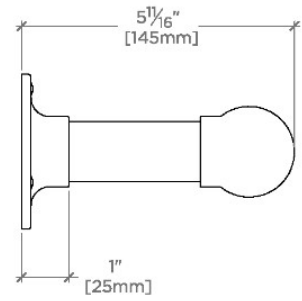
TOP VIEW

SCALE: 3"=1'-0"



FRONT VIEW

SCALE: 3"=1'-0"



SIDE VIEW

SCALE: 3"=1'-0"