

Henry

HTH511

Henry Integrated Thermostatic and Three Way Diverter Trim with Cross and Lever Handles



SHOWN IN HENRY INTEGRATED THERMOSTATIC AND THREE WAY DIVERTER TRIM WITH CROSS AND LEVER HANDLES | HTH511

TECHNICAL DETAILS

ADA Compliance: Yes
Fittings Hole Diameter: 64 mm
Integrated Diverter: Y
Number Of Holes: Two Hole
Primary Material: Brass

INSPIRATION

Influenced by the connection of industry and art Henry easily transitions between modern, traditional, utilitarian and classic settings.

CODES & STANDARDS

ASME A112.18.1/CSA B125.1, State of MA

PRODUCT FEATURES

Cross and Lever Handles

Allows bather to adjust temperature of all waterway outlets with a hot limit safety stop providing anti-scald protection

Stocked in Brass, Chrome, Nickel and Dark Nickel

Requires valve rough sold separately

CERTIFICATIONS

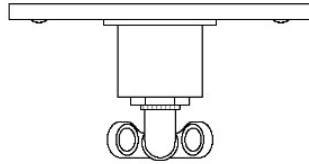


PRODUCT (NOTES)

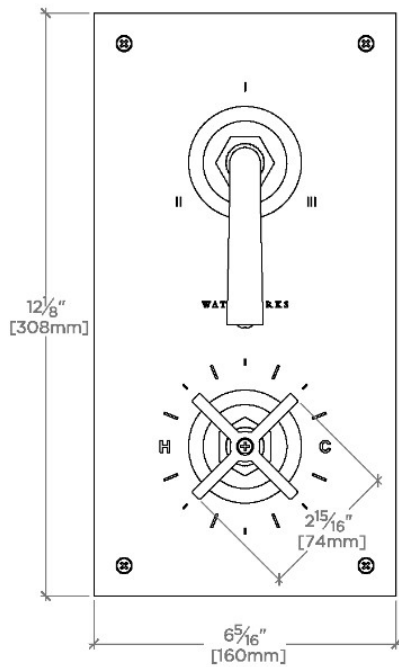
Henry

HTH511

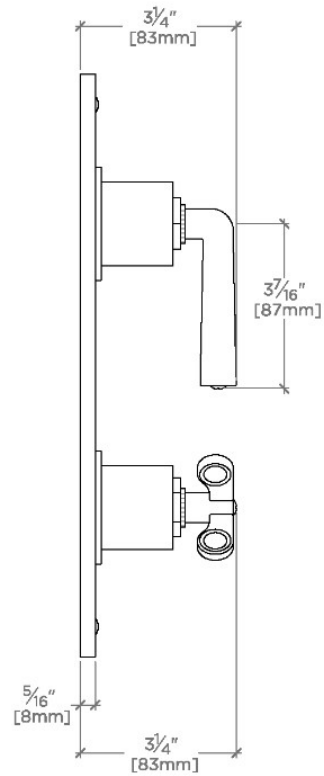
Henry Integrated Thermostatic and Three Way Diverter Trim
with Cross and Lever Handles



TOP VIEW SCALE: 3"=1'-0"



FRONT VIEW SCALE: 3"=1'-0"



SIDE VIEW SCALE: 3"=1'-0"