

CINTA

CINT01

Cinta Freestanding Solid Surface Bathtub 68" x 32" x 24"



SHOWN IN CINTA FREESTANDING SOLID SURFACE BATHTUB 68" X 32" X 24" | CINT01

TECHNICAL DETAILS

Adjustable Levelers Feet: N
 Bathing Type: Bathing and Soaking
 Bathing Well Sitting Angle: 105 degree_angle
 Depth To Overflow: 16 3/16"
 Drain Hole Depth: 1 15/16"
 Drain Hole Diameter: 2 3/16"
 Drilling Option: None
 Installation Type: Freestanding
 Overflow Hole Diameter: 2 3/4"
 Overflow Opening: Yes
 Primary Material: stone
 Single Or Double Ended: Double Ended
 Suggested Application: Bath

INSPIRATION

Named for the Spanish word for ribbon, Cinta celebrates the artistry of casting. The subtle exterior ridges that define its surface are not applied but inherent- an expression of the molding process as both method and design language.

CODES & STANDARDS

CSA B45.5/IAPMO Z124

PRODUCT FEATURES

Designed by and exclusive to Waterworks

Refined matte finish with a luxurious soft touch feel

Durable, scratch resistant, and seamless repairability

Subtle exterior ridges that define its surface are not applied but inherent

Required Drain and Overflow: UNWO25

CERTIFICATIONS



PRODUCT (NOTES)

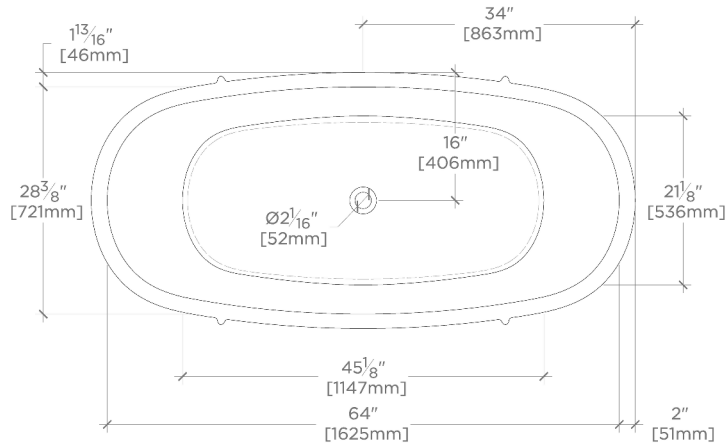
WATERWORKS

CINTA

CINT01

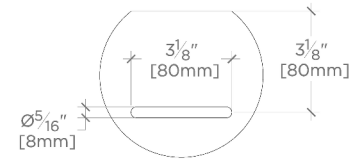
Cinta Freestanding Solid Surface Bathtub 68" x 32" x 24"

REQUIRED DRAIN UNWO25

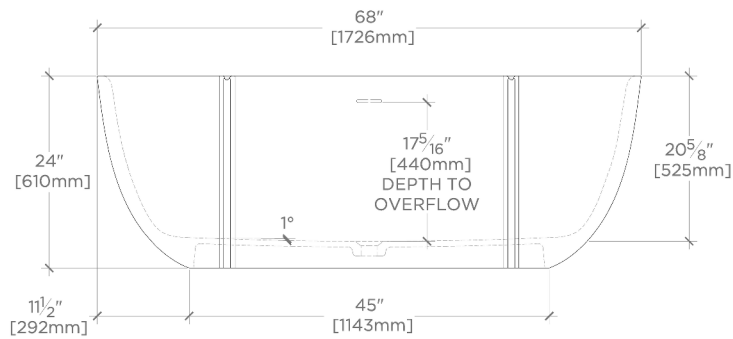


TOP VIEW

SCALE: 1/2"=1'-0"

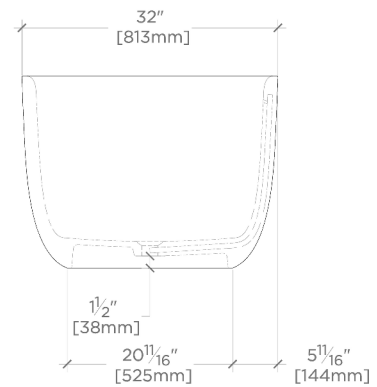


OVERFLOW DETAIL



SIDE VIEW

SCALE: 1/2"=1'-0"



END VIEW

SCALE: 1/2"=1'-0"