

UNIVERSAL

UNUN20

Universal Pair of 3" Wall Unions for Exposed Tub Fillers without Escutcheons



SHOWN IN UNIVERSAL PAIR OF 3" WALL UNIONS FOR EXPOSED TUB FILLERS WITHOUT ESCUTCHEONS | UNUN20

TECHNICAL DETAILS

ADA Compliance: No

INSPIRATION

Featuring enduring designs that complement any Waterworks element, this collection spans fittings to accessories, bringing exquisite proportion and balance to any environment.

CODES & STANDARDS

ASME A112.18.1/CSA B125.1, State of MA

PRODUCT FEATURES

CERTIFICATIONS

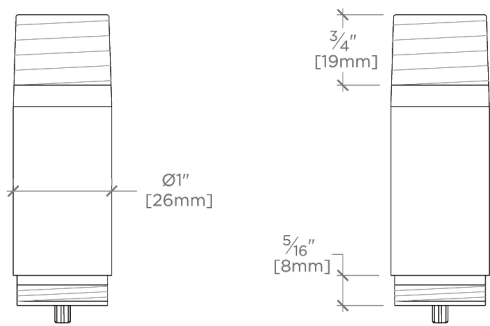


PRODUCT (NOTES)

UNIVERSAL

UNUN20

Universal Pair of 3" Wall Unions for Exposed Tub Fillers
without Escutcheons



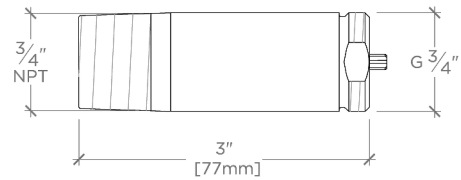
TOP VIEW

SCALE: 6"=1'-0"



FRONT VIEW

SCALE: 6"=1'-0"



SIDE VIEW

SCALE: 6"=1'-0"