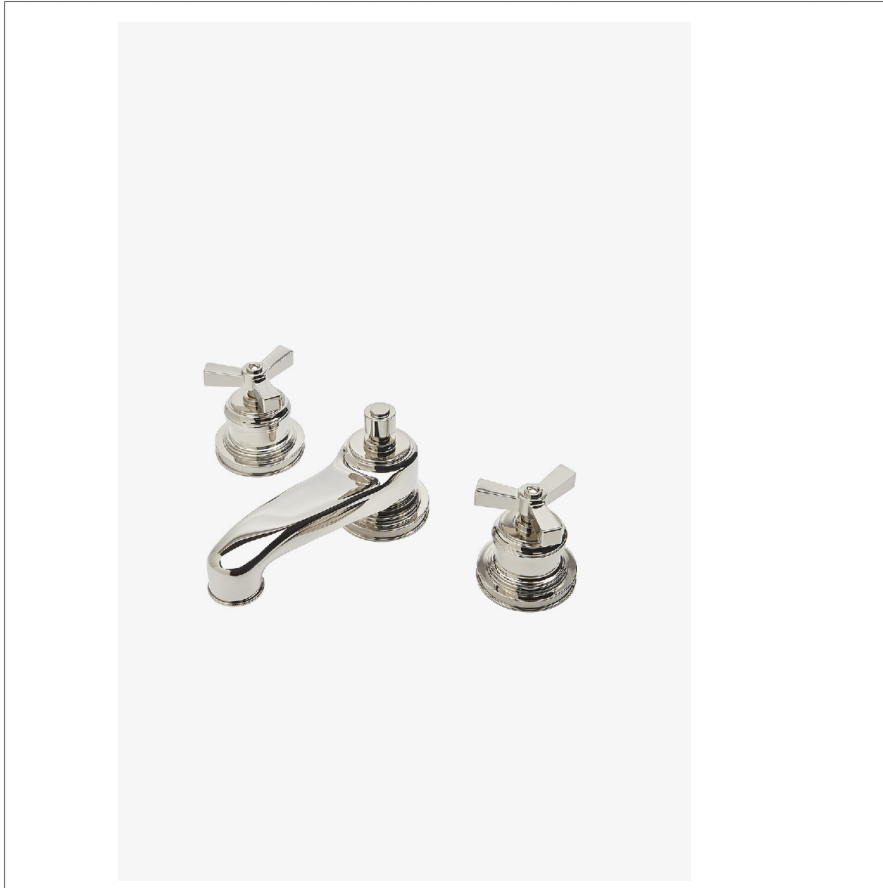


Aero

AELS01

Aero Low Profile Three Hole Deck Mounted Lavatory Faucet with Metal Cross Handles



SHOWN IN AERO LOW PROFILE THREE HOLE DECK MOUNTED LAVATORY FAUCET WITH METAL CROSS HANDLES | AELS01

TECHNICAL DETAILS

ADA Compliance: Yes
 Adjustable Versus Fixed Spray: Fixed Spray
 Deck Thickness Maximum: 30 mm
 Deck Thickness Minimum: 0 mm
 Depth/Width: 203 mm
 Drain Assembly Materials: Brass
 Drain Depth Maximum: 44 mm
 Drain Depth Minimum: 35 mm
 Drain Hole Diameter: 41 mm
 Drain Style: Pop-up
 Escutcheon Primary Material: Brass
 Fittings Hole Diameter: 35 mm
 Garbage Disposal: N
 Handle Spread Maximum: 305 mm
 Handle Spread Minimum: 203 mm
 Handle Turn Angle: Quarter Turn
 Height: 76 mm
 Inlet Connection Size: 1/2"
 Inlet Connection Type: Male with Supply Nut
 Inlet Supply Spread Maximum: 305 mm
 Inlet Supply Spread Minimum: 203 mm
 Installation Type: Deck Mounted
 Integrated Sensor Disk: N
 Interior Finish Of Trapway: N
 Length: 305 mm
 Number Of Handles: Two
 Number Of Holes: Three Hole
 Pivot: N
 Primary Material: Brass
 Restricted Maximum Flow Rate: 4.5 liters/min
 Sound Proofing: N
 Spout Swivel: N
 Suggested Application: Bath
 Valve Material: Ceramic
 Water Pressure Maximum: 6.0 bar
 Water Pressure Minimum: 1.5 bar
 Water Pressure Recommended: 3.0 bar

CODES & STANDARDS

AELS01X, NSF/ANSI/CAN 61:Q < 1, NSF/ANSI/CAN 372, ASME A112.18.1/CSA B125.1, CEC

INSPIRATION

Inspired by the stepped detail of 19th century telescopes, Aero is a combination of historical reference with a contemporary temperament. The result is original and modern, bringing a look of updated elegance.

PRODUCT FEATURES

Metal cross handles

Includes European size pop-up drain

Features signature stepped and gadrooned details on escutcheons and edge of spout

Stocked in Chrome and Nickel

Available in 1.2gpm (4.5L/min) flow rate

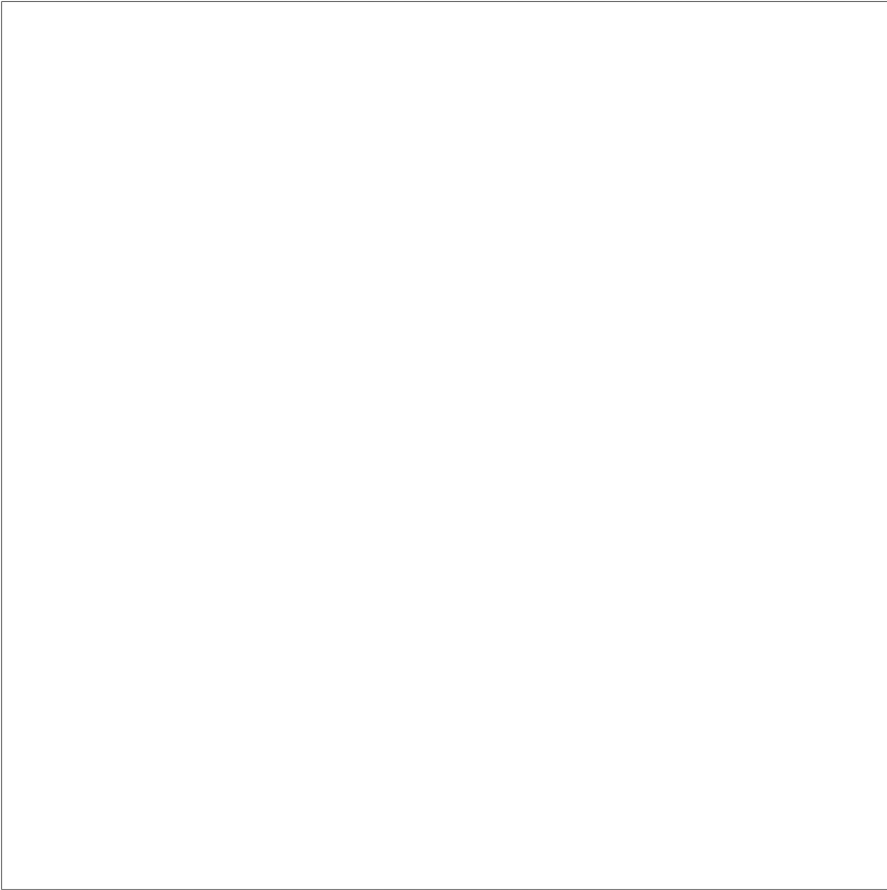
CERTIFICATIONS



PRODUCT (NOTES)

Sold with European style drain; USA style drain sold separately for use with non-Waterworks sinks.

WATERWORKS



TECHNICAL DETAILS

INSPIRATION

CODES & STANDARDS

PRODUCT FEATURES

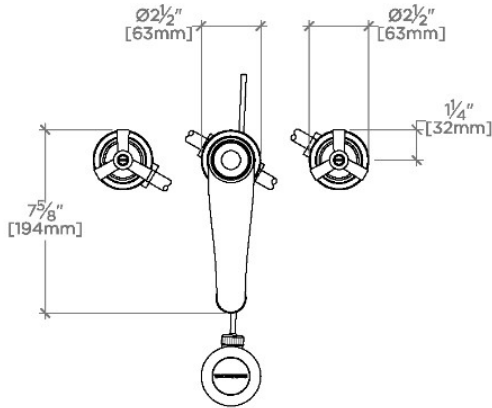
CERTIFICATIONS

PRODUCT (NOTES)

Aero

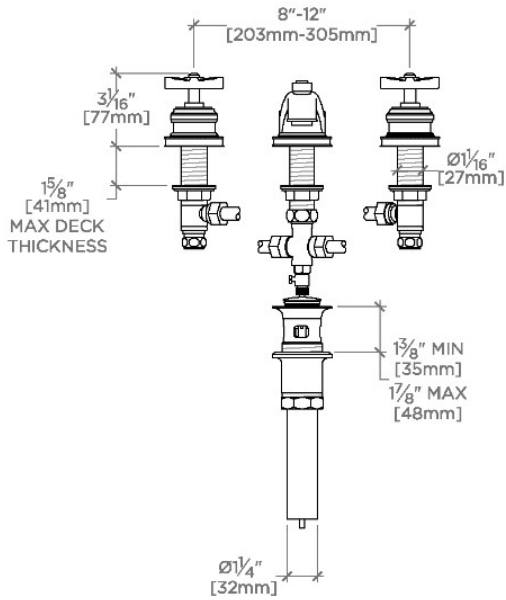
AELS01

Aero Low Profile Three Hole Deck Mounted Lavatory Faucet with Metal Cross Handles



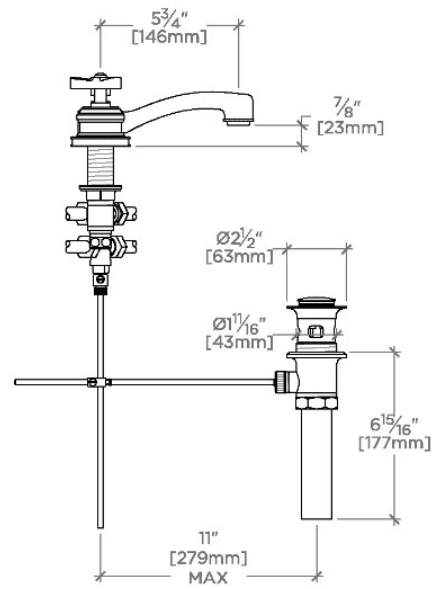
TOP VIEW

SCALE: $1\frac{1}{2}''=1'-0''$



FRONT VIEW

SCALE: $1\frac{1}{2}''=1'-0''$



SIDE VIEW

SCALE: $1\frac{1}{2}''=1'-0''$