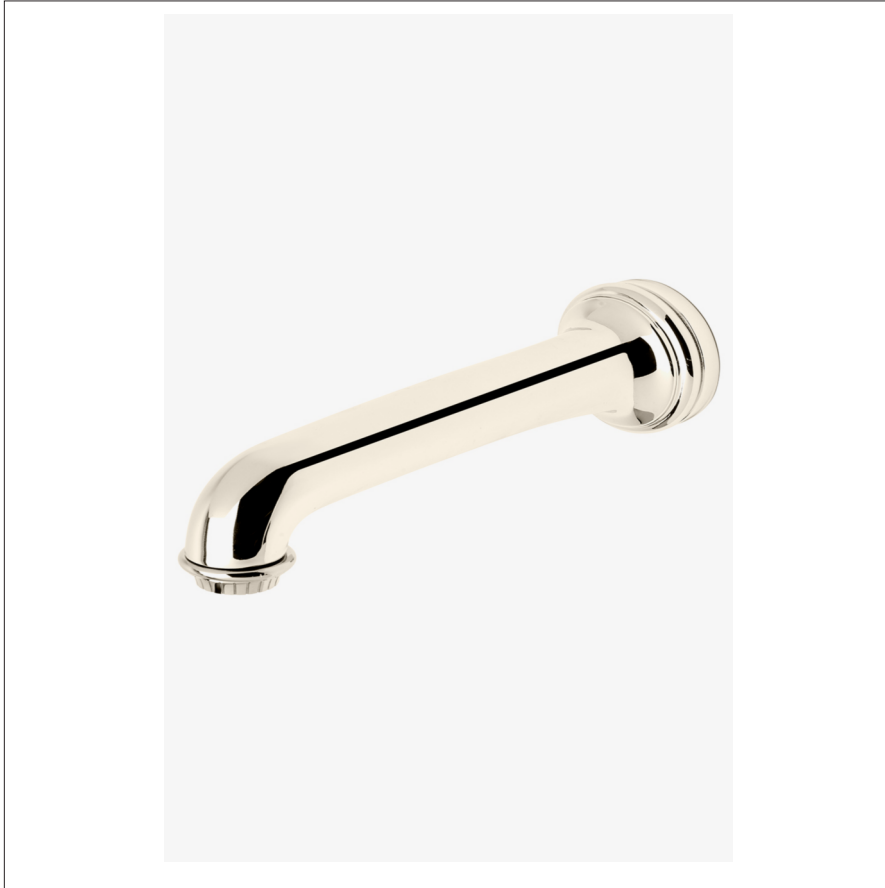


## FORO

Foro Wall Mounted Tub Spout

FR01TS



### TECHNICAL DETAILS

Depth / Width: 222 mm  
Height: 75 mm  
Inlet Connection Type: Male BSPP  
Length: 75 mm  
Primary Material: Brass  
Water Pressure Maximum: 6.0 bar  
Water Pressure Minimum: 1.5 bar  
Water Pressure Recommended: 3.0 bar

### INSPIRATION

A mix of historical references, including finely etched vintage silver, come together in this twist on classical design - a wonderfully elegant formal statement.

### PRODUCT FEATURES

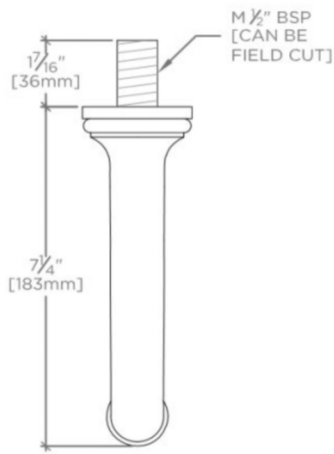
Features signature engraving detail  
Stocked in Nickel and Unlacquered Brass  
Unrestricted flow for quick filling of bathtub

## FORO

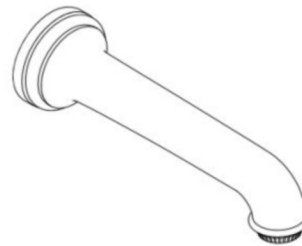
Foro Wall Mounted Tub Spout

## FR01TS

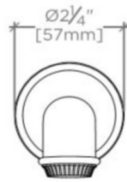
ADAPTER(S) PACKAGED SEPARATELY		
ADAPTER	DESCRIPTION	QTY
UNUK04	½" NPT MALE x ½" MALE NIPPLE 50mm LONG BSP	1



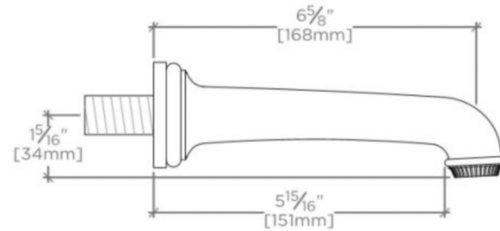
TOP VIEW SCALE: 3"=1'-0"



ISO VIEW SCALE: 3"=1'-0"



FRONT VIEW SCALE: 3"=1'-0"



SIDE VIEW SCALE: 3"=1'-0"