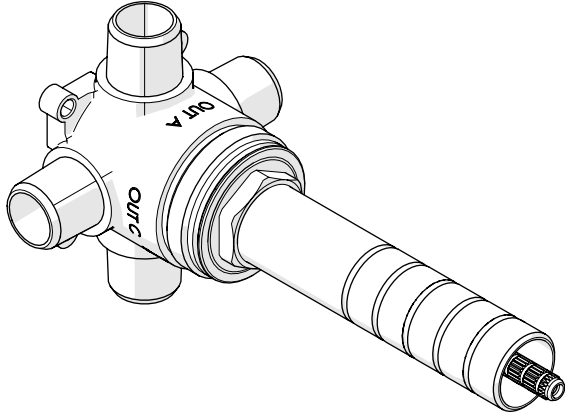


# WATERWORKS

## INSTALLATION GUIDELINES

STYLE No. GUDV3T, GU3TDV  
ViaWorks Three Way Diverter Valve for  
Thermostatic Shower Systems

### STYLE NO. GUDV3T, GU3TDV†



#### IMPORTANT:

- **ALL VALVES AND TRIMS SOLD SEPARATELY.**
- To ensure this DIVERTER VALVE is installed properly, you must read and follow these guidelines.
- The owner/user of this DIVERTER VALVE must keep this information for future reference.
- This DIVERTER VALVE must be paired with a THERMOSTATIC VALVE (sold separately).
- This VALVE **CANNOT** be used with a **DIVERTING TUB SPOUT**.
- **CAUTION:** The VALVE rough-in depth is measured from the center of the inlets to the surface of the finished wall and VARIES depending on the TRIM used.
- This DIVERTER VALVE and associated TRIM (SOLD SEPARATELY) must be installed by a professional licensed contractor and must be onsite prior to rough-in. This allows the installer to visualize the installation.
- This DIVERTER VALVE is sold partially assembled but shown fully disassembled for illustrative and service purposes only. Inspect the VALVE to ensure you have all the parts required for proper installation.
- Be sure your installation conforms to all federal, state, and local codes. In the State of Massachusetts, all installations must comply with the rules and regulations set forth within 248 CMR.

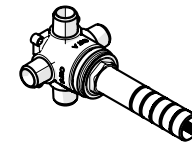
- If further assistance is required, please contact Product Support at 1-800-927-2120 Monday through Friday, 8am - 6pm EST.
- Refer to the separate Service Parts Documents for available replacement parts.

#### TECHNICAL DETAILS:

DETAIL	SPECIFICATION
INLET/OUTLET CONNECTIONS	1/2" MALE NPT †
FITTINGS HOLE DIAMETER	Ø2" [51mm]
ROUGH-IN DEPTH	<b>VARIES ‡</b>
UNRESTRICTED MAX FLOW RATE @ 45 PSI [3 bar]	10gpm [38L/min]
WATER PRESSURE MAXIMUM	85psi [6.0 bar]
WATER PRESSURE MINIMUM	20psi [1.5 bar]
WATER PRESSURE RECOMMENDED	45psi [3.0 bar]

- † Style No. **GU3TDV** is provided with 4 **BSPP ADAPTERS**. ADAPTERS are packaged separately and assembly is required. Replacement ADAPTERS can be ordered separately:
  - Universal 1/2" NPT Female x 1/2" Male BSPP Adapter  
Style No. UNUK03
- ‡ Refer to the Installation Guidelines of the specific DIVERTER VALVE TRIM being used for the **MAXIMUM** and **MINIMUM** rough-in depth dimensions.

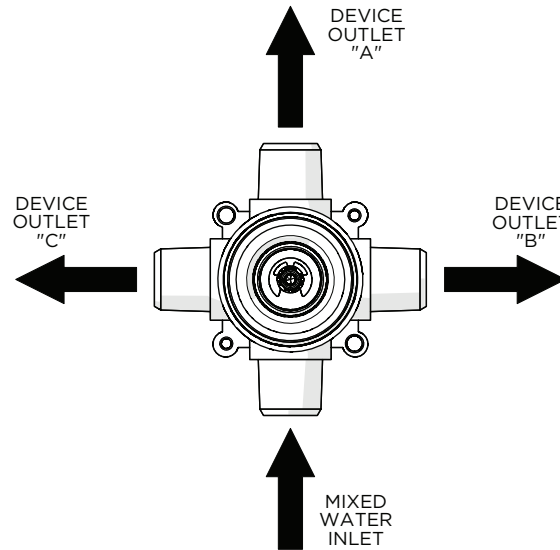
# WATERWORKS INSTALLATION GUIDELINES



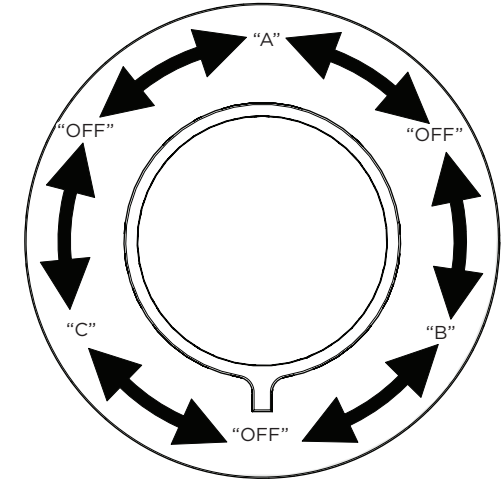
STYLE No. GUDV3T, GU3TDV  
ViaWorks Three Way Diverter Valve for  
Thermostatic Shower Systems

## VALVE FUNCTION AND HANDLE OPERATION:

- **CAUTION:** When this DIVERTER VALVE is paired with a DIVERTER VALVE TRIM that has specific device MARKINGS, it is crucial that the outlet ports are correctly plumbed to those specific devices (i.e. handshower and shower head)
- The required THERMOSTATIC VALVE (sold separately) only mixes hot and cold water, it does not have an on/off/ or volume control function. Mixed water flows out at a fixed volume to the DIVERTER VALVE which has 3 positions, each 60° apart.
  - 3 ON positions that can direct water flow to a **MAXIMUM** of 3 devices. Water **CANNOT** flow out of the devices simultaneously (i.e. out of the shower head AND handshower together).
  - 3 OFF positions. 1 in between each ON position.
  - The DIVERTER VALVE incorporates tactile feedback at each position.



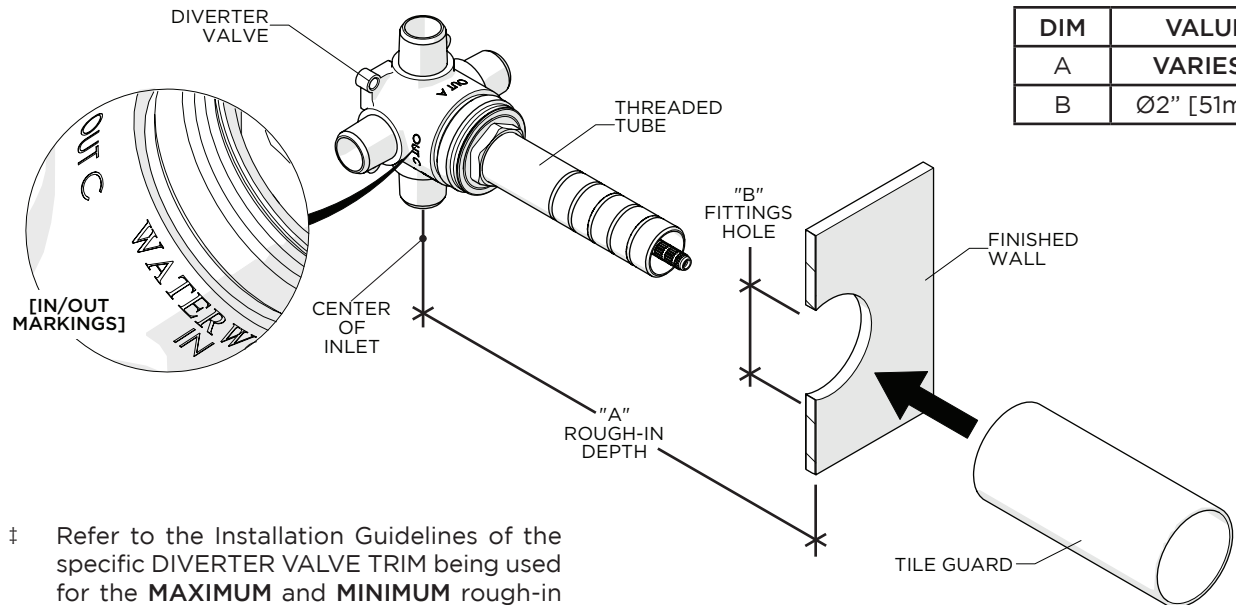
[GUDV3T SHOWN]



[HANDLE OPERATION]

## ROUGH-IN AND VALVE PREPARATION:

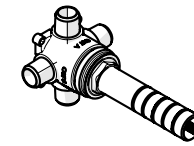
- Check incoming water pressure.
- **IMPORTANT:**
  - The VALVE rough-in depth is measured from the center of the inlets to the surface of the finished wall and varies depending on the TRIM used.
  - Refer to the Installation Guidelines of the specific DIVERTER VALVE TRIM being used for the MAXIMUM and MINIMUM rough-in depth dimensions.
- **CAUTION:**
  - **DO NOT APPLY DIRECT HEAT TO THE VALVE.** Pre-solder any connections to prevent damage to the CARTRIDGE and other internal components.
  - The DIVERTER VALVE TRIM components (i.e. HANDLE and TRIM PLATE) may be packaged separately from each other.



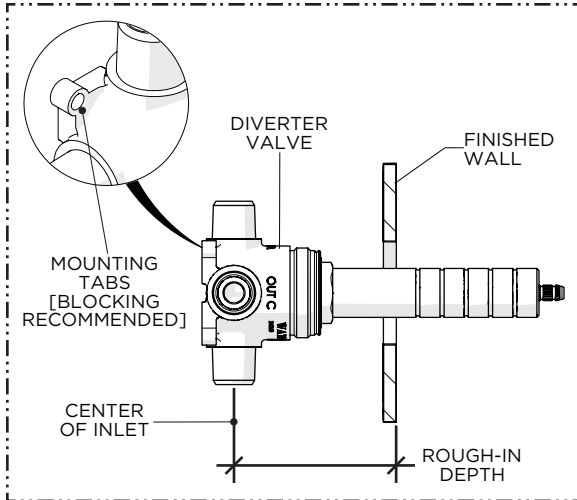
DIM	VALUE
A	VARIABLE †
B	Ø2" [51mm]

† Refer to the Installation Guidelines of the specific DIVERTER VALVE TRIM being used for the **MAXIMUM** and **MINIMUM** rough-in depth dimensions.

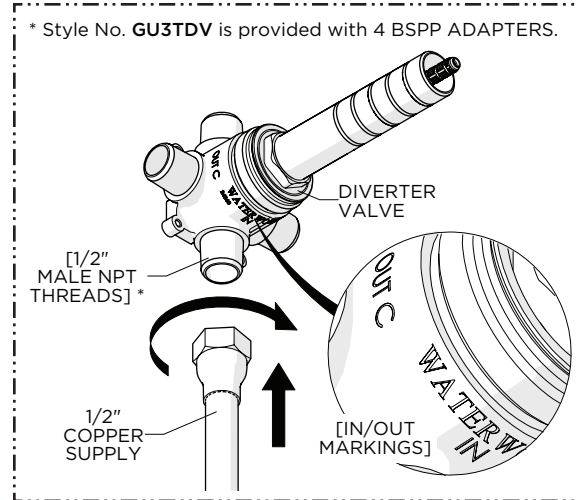
# WATERWORKS INSTALLATION GUIDELINES



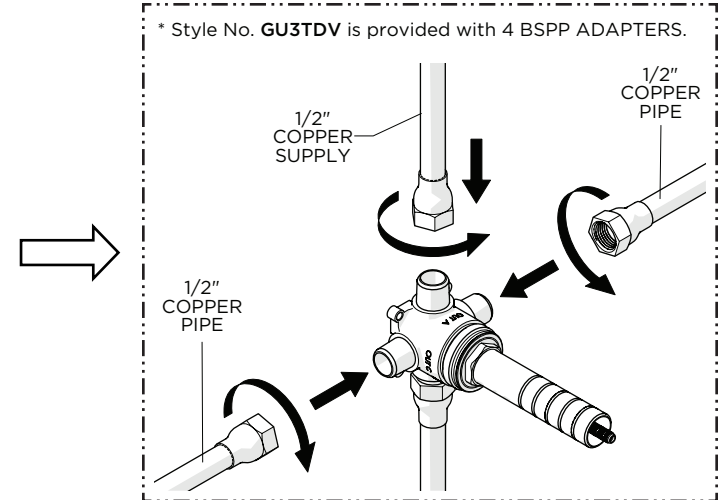
STYLE No. GUDV3T, GU3TDV  
ViaWorks Three Way Diverter Valve for  
Thermostatic Shower Systems



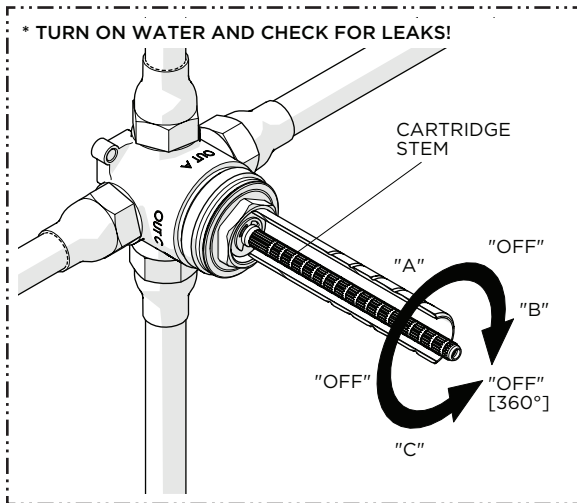
1. The DIVERTER VALVE rough-in depth is measured from the center of the inlet to the surface of the finished wall and varies depending on the TRIM being used.



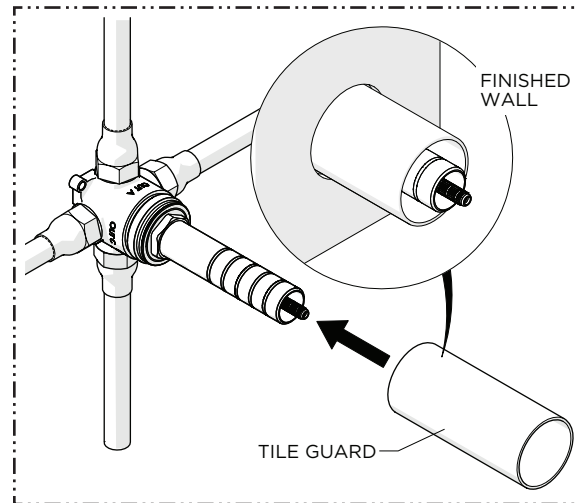
2. From the THERMOSTATIC VALVE (sold separately) being used, run a copper supply line to the proper height of the DIVERTER VALVE making sure it's positioned according to the IN/OUT MARKINGS so that mixed water flows into the inlet and all piping and fittings are secured.



3. Run 1/2" copper supply lines from the outlet ports to the 3 desired devices making sure all piping and fittings are secured.



4. Turn on the water supply and operate the CARTRIDGE STEM to flush out the supply lines, verify all VALVE positions are functioning properly, and check for leaks. Ensure the supply lines have been fully flushed then turn off the water.



5. Install the TILE GUARD to protect the DIVERTER VALVE during the completion of the finished wall and to create the exact opening required to ensure access to the CARTRIDGE for future servicing.