

## BOND

BTH42S

Bond Rally Series Integrated Thermostatic and Two Way Diverter Trim with Knob and Lever Handles



SHOWN IN BOND RALLY SERIES INTEGRATED THERMOSTATIC AND TWO WAY DIVERTER TRIM WITH KNOB AND LEVER HANDLES | BTH42S

### TECHNICAL DETAILS

ADA Compliance: Yes  
 Integrated Diverter: Y  
 Number Of Holes: Two Hole  
 Primary Material: Brass

### INSPIRATION

Modern designs infused with rare soul and artistry. Explore our wide range of Bond bath and kitchen elements, from fittings to fixtures to hardware.

### CODES & STANDARDS

ASME A112.18.1/CSA B125.1, State of MA

### PRODUCT FEATURES

Knob and Lever Handles

Allows bather to adjust temperature of all waterway outlets with a hot limit safety stop providing anti-scald protection

Features a Sport Black Finish, smooth and velvety to the touch

Stocked in Chrome/Sport Black

Requires valve rough sold separately

### CERTIFICATIONS



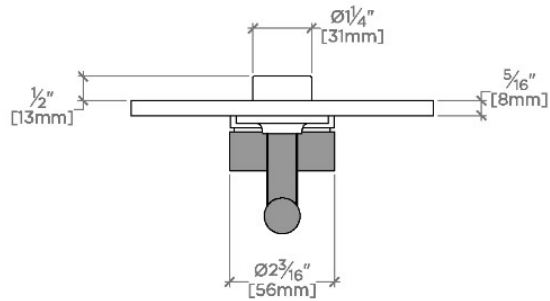
### PRODUCT (NOTES)

# WATERWORKS

## BOND

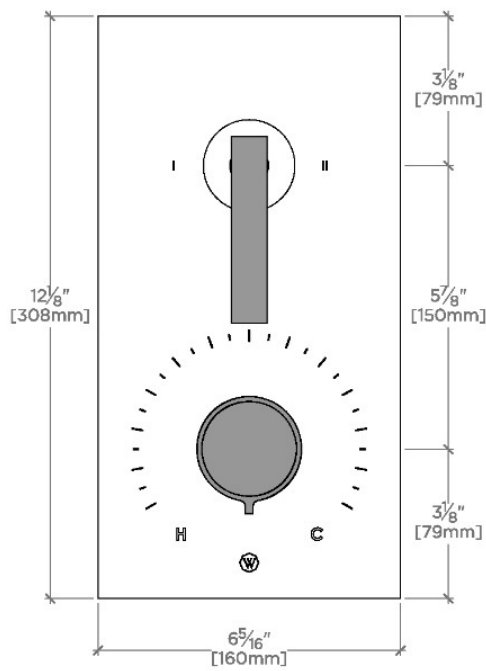
## BTH42S

Bond Rally Series Integrated Thermostatic and Two Way Diverter Trim with Knob and Lever Handles



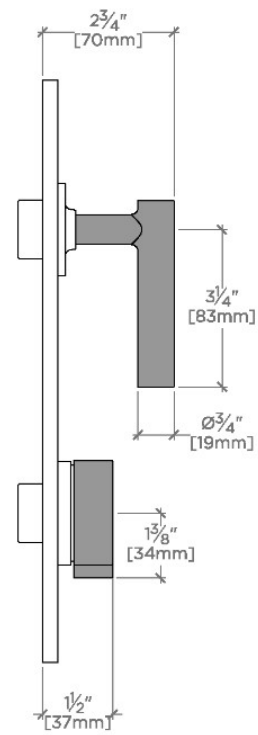
TOP VIEW

SCALE: 3"=1'-0"



FRONT VIEW

SCALE: 3"=1'-0"



SIDE VIEW

SCALE: 3"=1'-0"