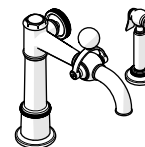


INSTALLATION GUIDELINES



STYLE No. OTKM10, OT10KM

On Tap One Hole High Profile Kitchen Faucet with Metal Wheel, Black Ball Handle and Spray

IMPORTANT:

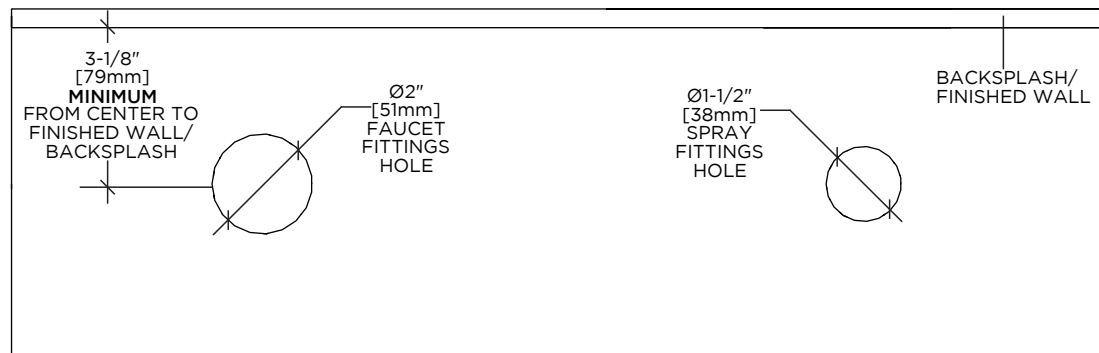
- To ensure this product is installed properly, you must read and follow these guidelines.
- The owner/user of this product must keep this information for future reference.
- This product must be installed by a professional licensed contractor.
- Be sure your installation conforms to federal, state, and local codes. In the State of Massachusetts, all installations must comply with the rules and regulations set forth within 248 CMR.
- Inspect this product to ensure you have all the parts required for proper installation. Product is sold partially assembled but shown fully disassembled for illustrative and service purposes only.
- Use only a strap wrench or protected/smooth-jaw wrench on any finished surface.
- The use of certain plumber's putty may stain stone or tile surfaces.
- If further assistance is required, please contact Product Support at 1-800-927-2120 Monday through Friday, 8am - 6pm EST.
- Refer to the separate Service Parts Documents for available replacement parts.

TECHNICAL DETAILS:

DETAIL	SPECIFICATION
ADJUSTABLE VERSUS FIXED SPRAY	FIXED
MAXIMUM DECK THICKNESS	1-15/16" [49mm]
FITTINGS HOLE DIAMETER	2" [51mm] - (FAUCET) 1-1/2" [38mm] - (SPRAYER)
HANDLE TURN ANGLE	QUARTER TURN
INLET CONNECTION	3/8" COMPRESSION CONNECTOR HOSES ‡
RESTRICTED MAXIMUM FLOW RATE	2.2gpm [8.3L/min]
SPOUT REACH	10-1/8" [257mm]
SPOUT SWIVEL	YES
SPRAY HOSE LENGTH	49" [1.2m]
SPRAY INCLUDED IN UNIT	YES
WATER PRESSURE RANGE	20psi [1.5 bar] MIN 85psi [6.0 bar] MAX
WATER PRESSURE RECOMMENDED	45psi [3.0 bar]

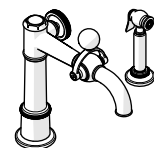
‡ UK Style No. **OT10KM** is supplied with 2 **BSPP** adapters, assembly required.

†† SPRAY can be installed on RIGHT or LEFT side of FAUCET



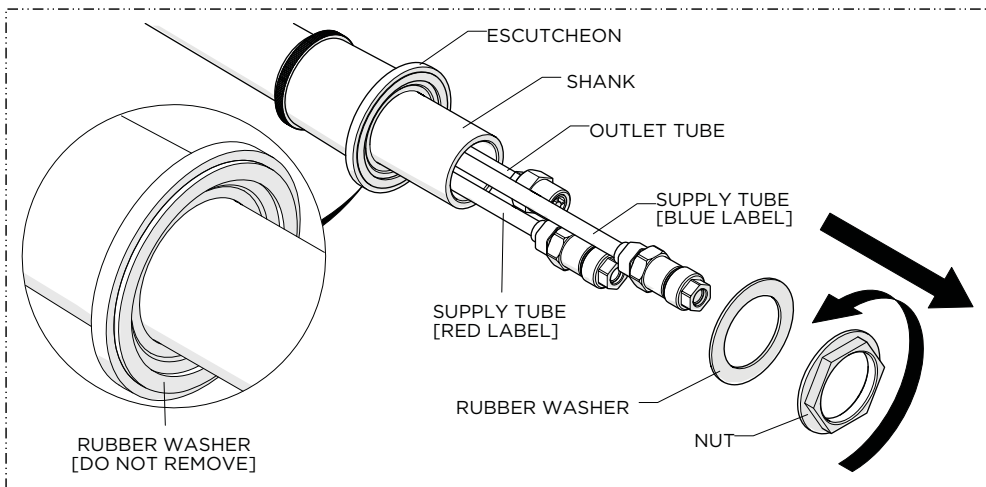
[MOUNTING SURFACE - TOP VIEW]

INSTALLATION GUIDELINES

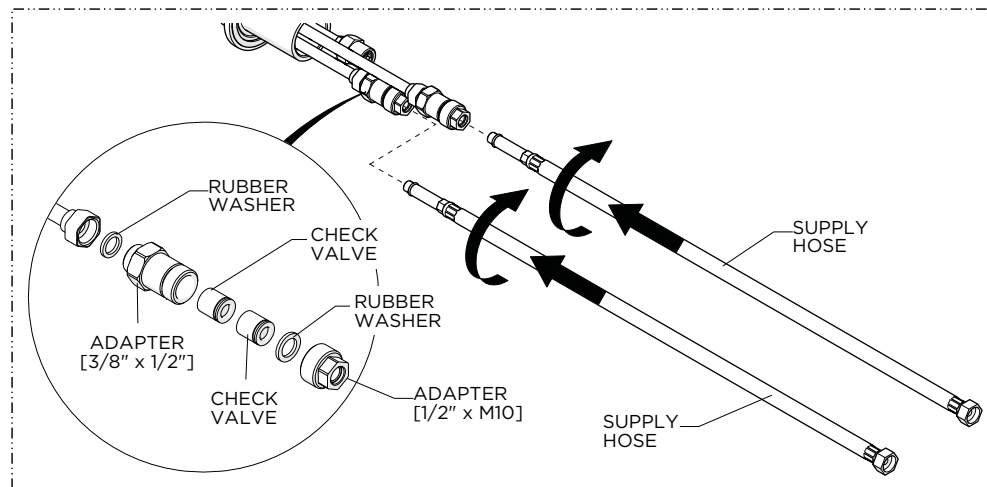


STYLE No. OTKM10, OT10KM

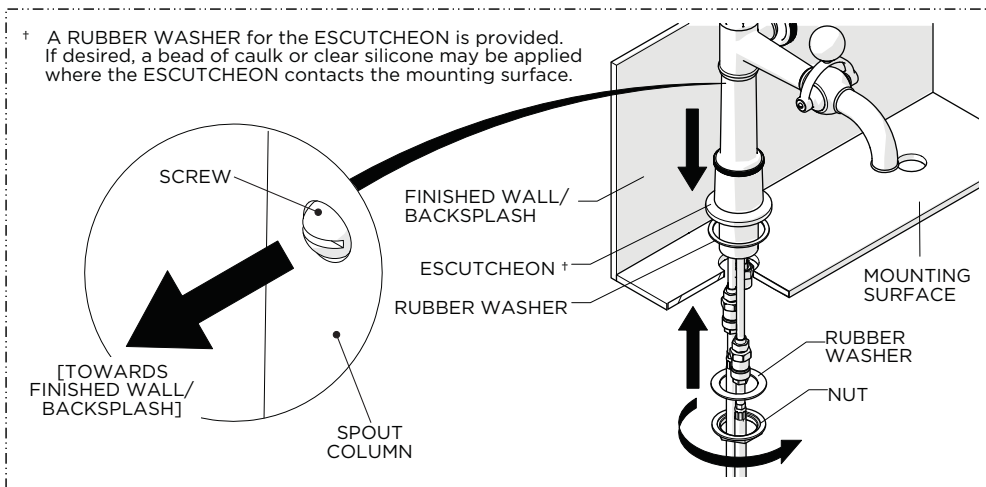
On Tap One Hole High Profile Kitchen Faucet with Metal Wheel, Black Ball Handle and Spray



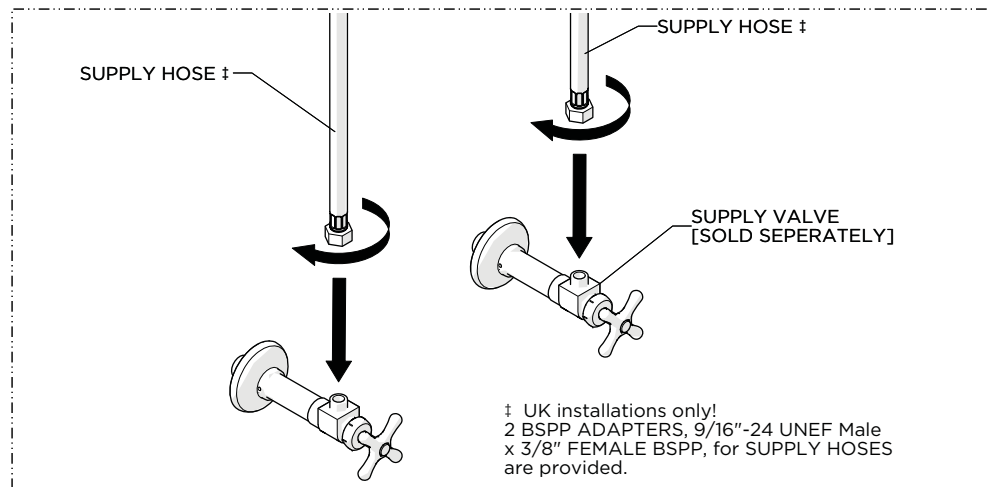
1. Unthread and remove the NUT and RUBBER WASHER from the SPOUT SHANK.
NOTE: Do **NOT** remove the RUBBER WASHER beneath the ESCUTCHEON.



2. Thread and securely tighten the SUPPLY HOSES onto the SUPPLY TUBES installed on the SPOUT.
NOTE: The HOSES are M10 x 3/8" COMPRESSION CONNECTOR HOSES and the SUPPLY TUBES are marked BLUE for cold and RED for hot.
NOTE: 2 CHECK VALVES are located inside each of the ADAPTER.

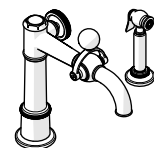


3. Insert the SPOUT through the hole on the mounting surface making sure the RUBBER WASHER provided is beneath the ESCUTCHEON and the SCREW on the SPOUT COLUMN is aligned towards the finished wall/backsplash then slide the RUBBER WASHER and NUT over the HOSES and TUBES. Ensure the SPOUT is properly aligned then thread and securely tighten the NUT.



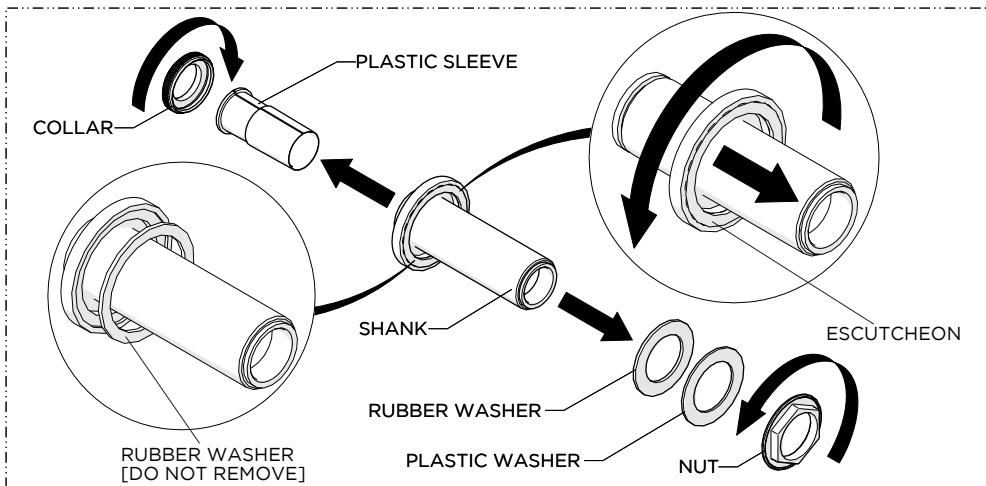
4. Connect the SUPPLY HOSES to the SUPPLY VALVES (sold separately).
NOTE: The HOSES are connected to SUPPLY TUBES that are marked BLUE for cold and RED for hot.

INSTALLATION GUIDELINES



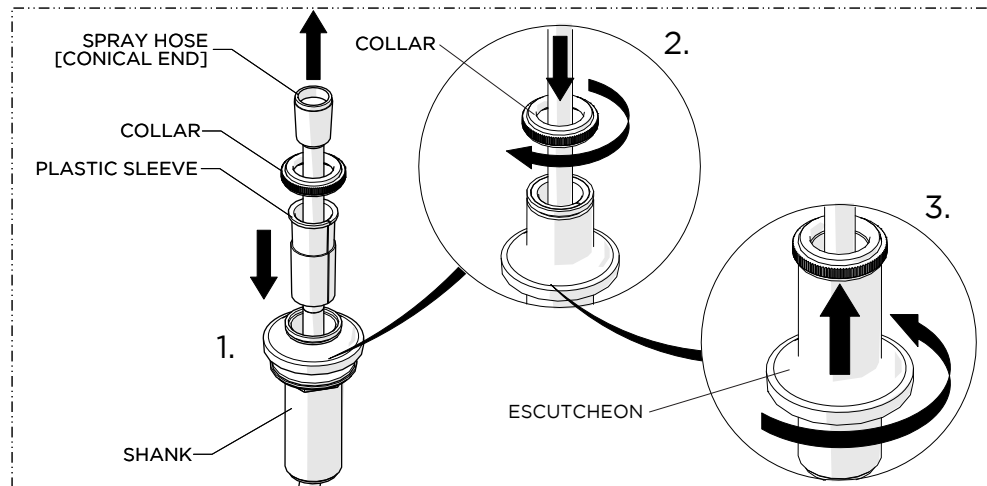
STYLE No. OTKM10, OT10KM

On Tap One Hole High Profile Kitchen Faucet with Metal Wheel, Black Ball Handle and Spray

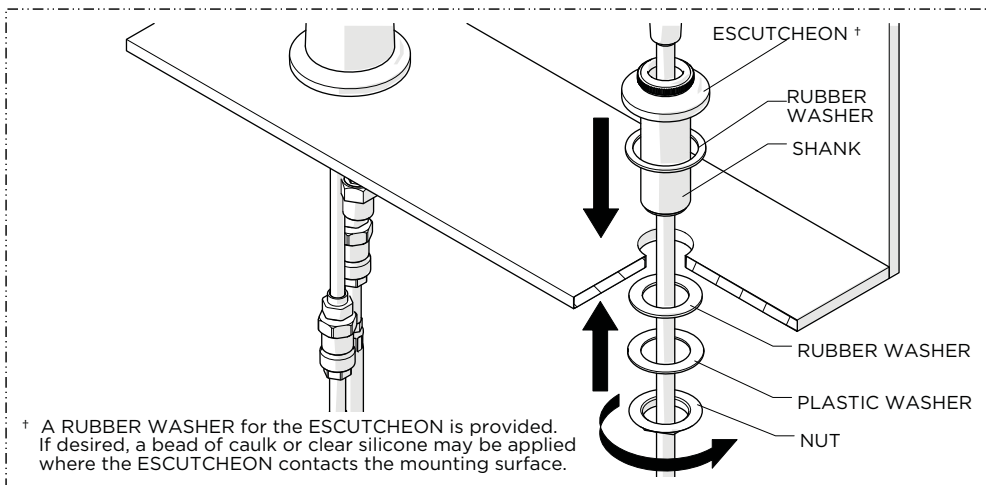


5. Unthread and remove the COLLAR, PLASTIC SLEEVE, NUT and WASHERS from the SHANK then partially unthread the ESCUTCHEON.

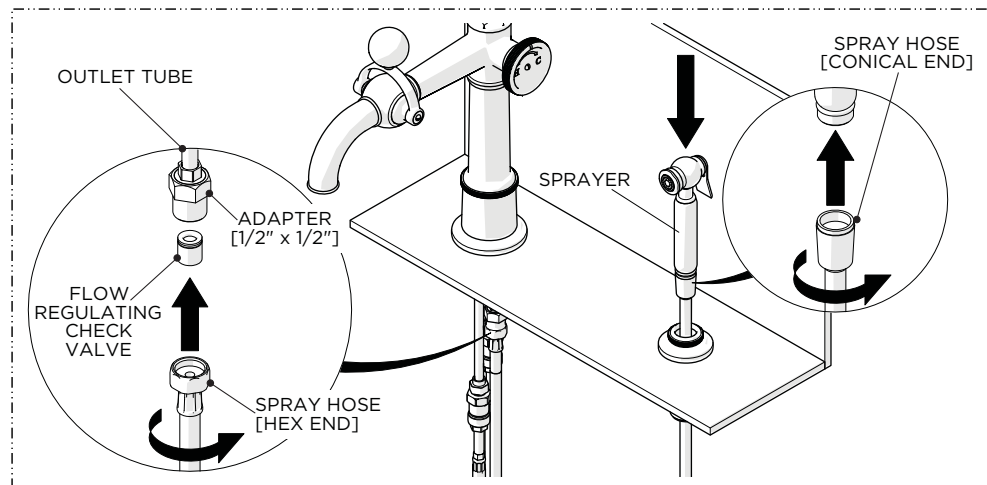
NOTE: Do NOT remove the RUBBER WASHER beneath the ESCUTCHEON.



6. Insert the SPRAY HOSE (conical end) through the SHANK, PLASTIC SLEEVE and COLLAR then insert the SLEEVE back into the SHANK. Thread and securely tighten the COLLAR onto the SHANK then thread the ESCUTCHEON up until it stops.



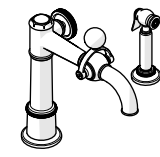
7. Insert the SHANK through the hole on the mounting surface making sure the RUBBER WASHER provided is beneath the ESCUTCHEON. Re-install the WASHERS then thread and securely tighten the NUT.



8. Thread and securely tighten the SPRAY HOSE (conical end) onto the SPRAYER and insert the HOSE into the PLASTIC SLEEVE until it stops then thread and securely tighten the HOSE (hex end) onto the ADAPTER on the OUTLET TUBE.

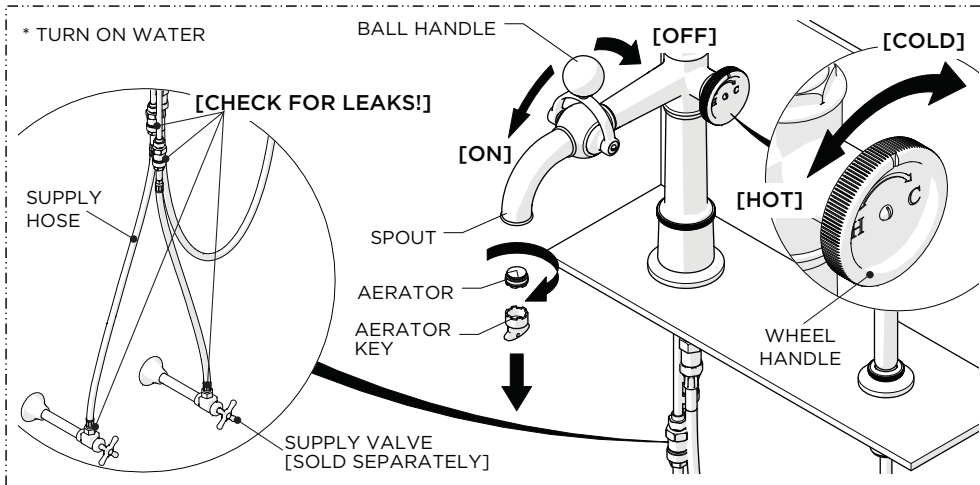
NOTE: A FLOW REGULATING CHECK VALVE is located inside the ADAPTER.

INSTALLATION GUIDELINES



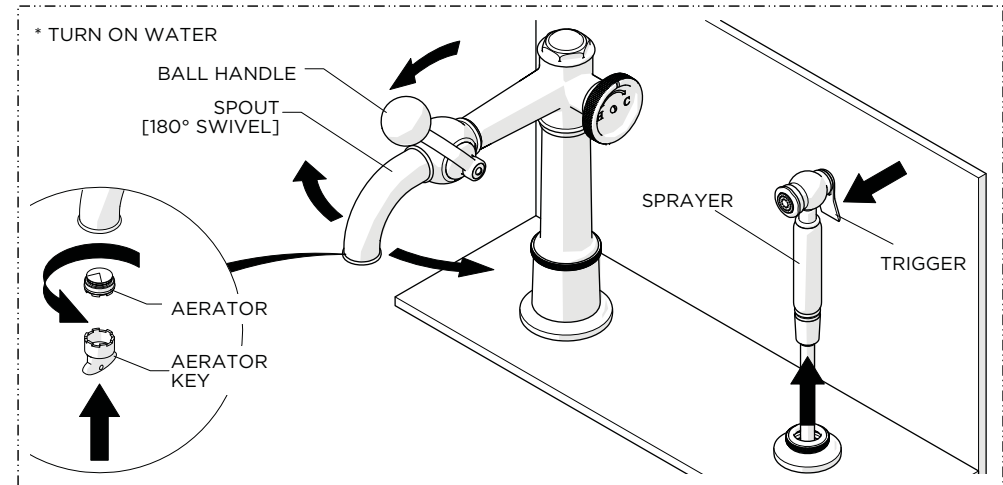
STYLE No. OTKM10, OT10KM

On Tap One Hole High Profile Kitchen Faucet with Metal Wheel, Black Ball Handle and Spray

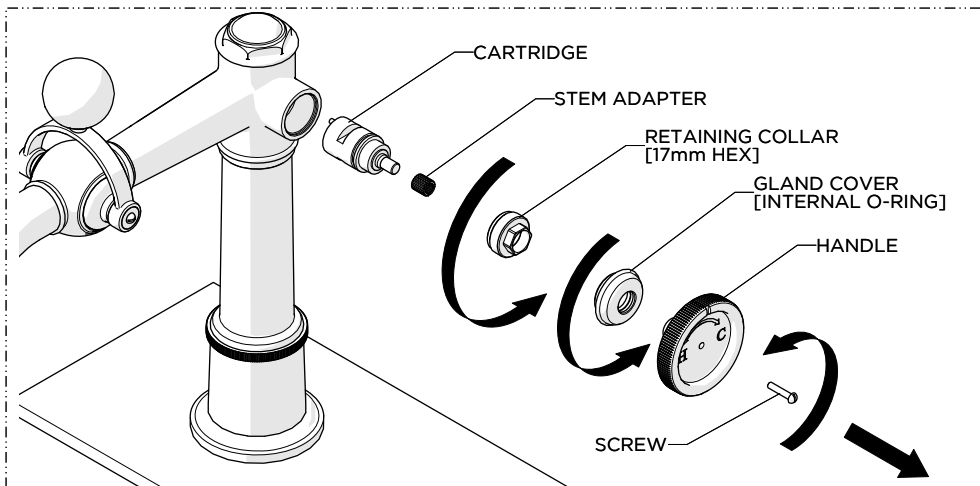


9. Using the AERATOR KEY, remove the AERATOR then turn on the water and operate the BALL and WHEEL HANDLES to ensure they function properly and to flush out any debris in the supply lines. Check all connections for leaks and turn off the water.

CAUTION: Flush out the supply lines prior to operating the SPRAYER.



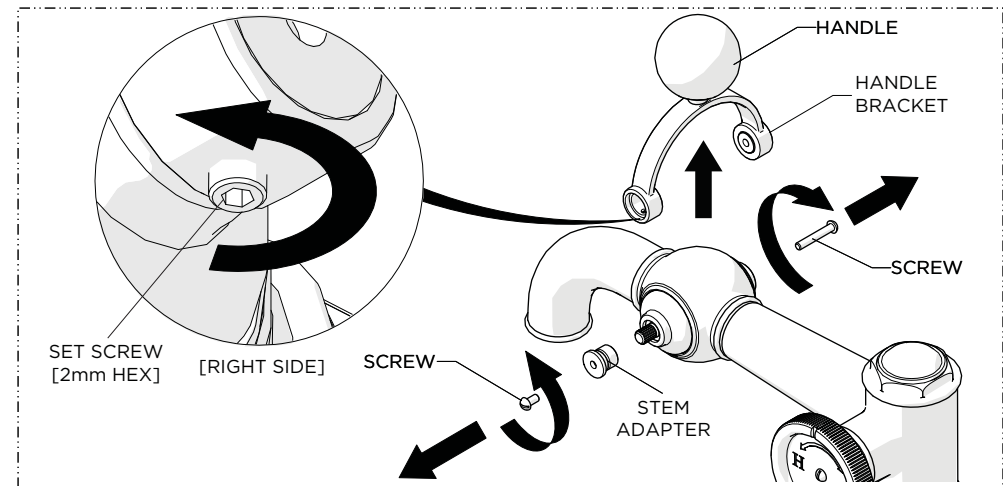
10. Re-install the AERATOR then turn on the water and operate the SPRAYER and SPOUT to ensure they function properly.



SERVICING THE TEMPERATURE CONTROL CARTRIDGE:

1. Unthread the SCREW and remove the HANDLE then unthread and remove the GLAND COVER and RETAINING COLLAR to expose the STEM ADAPTER and the CARTRIDGE. Remove the ADAPTER and CARTRIDGE.

NOTE: Do NOT discard the STEM ADAPTER.

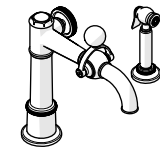


SERVICING THE SHUT-OFF CONTROL CARTRIDGE:

1. Loosen, but do NOT remove, the SET SCREW on the right side of the HANDLE BRACKET then unthread and remove the SCREWS and STEM ADAPTER from the BRACKET. Remove the HANDLE.

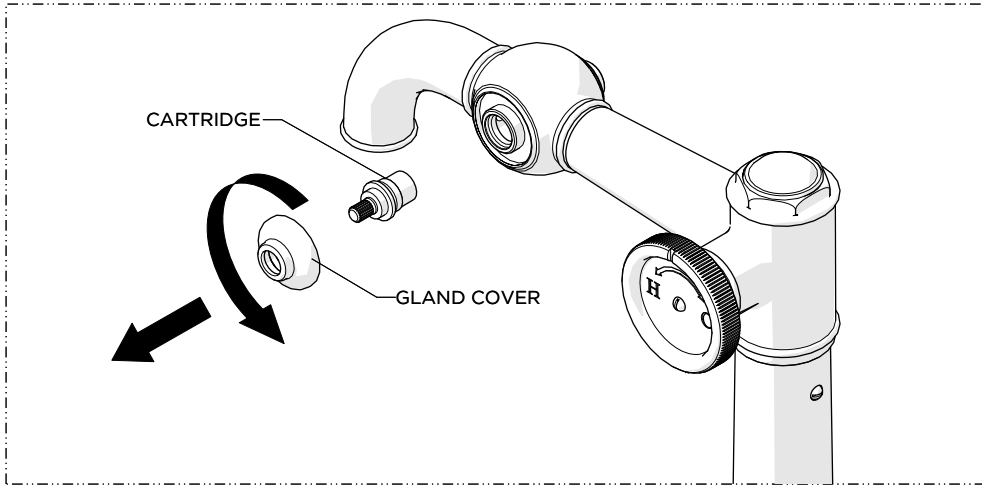
NOTE: Do NOT discard the STEM ADAPTER.

INSTALLATION GUIDELINES

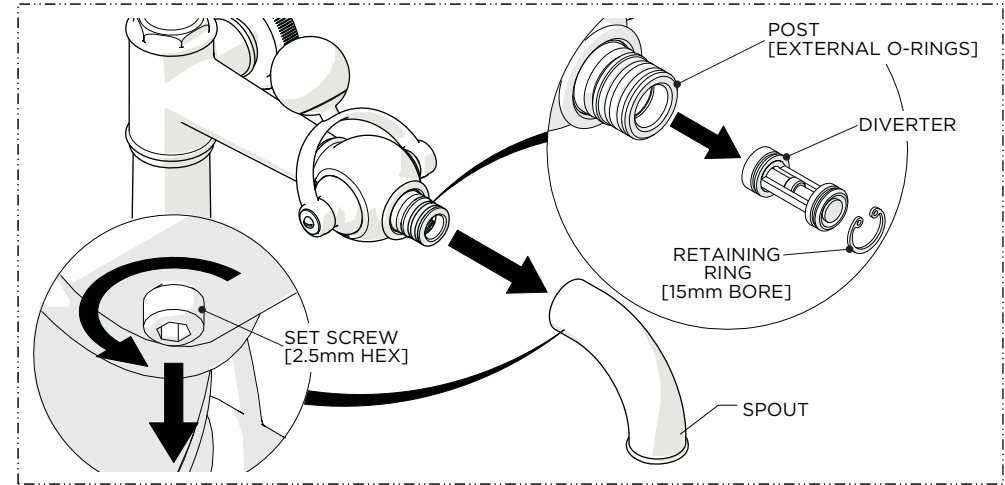


STYLE No. OTKM10, OT10KM

On Tap One Hole High Profile Kitchen Faucet with Metal Wheel, Black Ball Handle and Spray



2. Unthread and remove the GLAND COVER to expose the CARTRIDGE, then unthread and remove the CARTRIDGE.



SERVICING THE SPOUT:

1. Loosen, but do NOT remove, the SET SCREW at the base of the SPOUT then pull the SPOUT off to expose the POST with external O-RINGS.

NOTE: A DIVERTER is located inside the POST.