

## HENRY

Henry Three Hole Gooseneck Kitchen Faucet, Metal Cross Handles and Spray

## HNKM20



SHOWN IN HENRY THREE HOLE GOOSENECK KITCHEN FAUCET, METAL CROSS HANDLES AND SPRAY | HNKM20

### TECHNICAL DETAILS

ADA Compliance: Yes  
Depth / Width: 297 mm  
Height: 368 mm  
Primary Material: Brass  
Spout Swivel: Y  
Suggested Application: Bar, Kitchen, Laundry

### INSPIRATION

Influenced by the connection of industry and art Henry easily transitions between modern, traditional, utilitarian and classic settings.

### CODES & STANDARDS

Code # HNKM20: Complies with ASME A112.18.1/CSA B125.1, ADA, CEC, NSF 61 and 0.25% Weighted Average Lead content. Certified with IAPMO, cUPC, CEC, NSF, State of MA and WRAS.

### PRODUCT FEATURES

Built-in automatic diverter for spray operation.  
Quarter turn ceramic cartridge  
Hot and/or Cold Mix for the Sidespray.  
Available in cross and lever handle options  
Standard flow rate is 2.2gpm (8.3 L/min) and State of California requires a maximum of 1.8gpm(6.8 L/min). Also available in other flow options. Contact a sales associate for details.

### CERTIFICATIONS

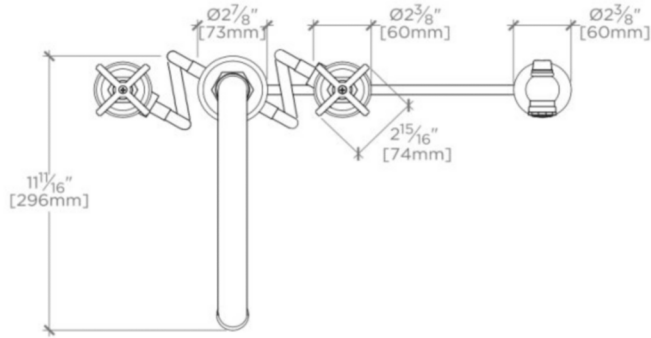


# WATERWORKS

## HENRY

## HNKM20

Henry Three Hole Gooseneck Kitchen Faucet, Metal Cross Handles and Spray



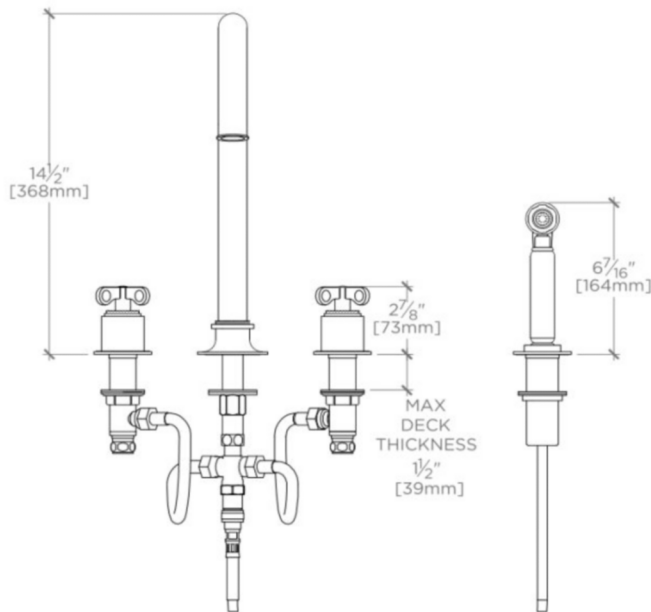
TOP VIEW

SCALE:  $1\frac{1}{2}$ "=1'-0"



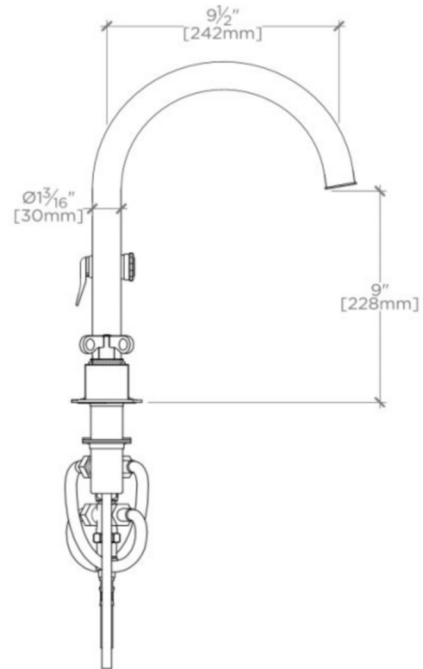
ISO VIEW

SCALE:  $1\frac{1}{2}$ "=1'-0"



FRONT VIEW

SCALE:  $1\frac{1}{2}$ "=1'-0"



SIDE VIEW

SCALE:  $1\frac{1}{2}$ "=1'-0"