

## Henry

## HKM711

Henry Gooseneck Integrated Pull Spray Kitchen Faucet with Lever Handle



SHOWN IN HENRY GOOSENECK INTEGRATED PULL SPRAY KITCHEN FAUCET WITH LEVER HANDLE | HKM711

### TECHNICAL DETAILS

ADA Compliance: Yes  
Adjustable Versus Fixed Spray: Adjustable Spray  
Deck Thickness Maximum: 79 mm  
Fittings Hole Diameter: 38 mm  
Handle Turn Angle: Quarter Turn  
Handshower Spray Hose Length: 1.5 m  
Inlet Connection Size: 3/8"  
Inlet Connection Type: Compression Connection  
Hoses  
Restricted Maximum Flow Rate: 6.6 liters/min  
Spout Swivel: Y  
Spray Included In Unit: Y  
Valve Material: Brass and Ceramic  
Water Pressure Maximum: 6.0 bar  
Water Pressure Minimum: 1.5 bar  
Water Pressure Recommended: 3.0 bar

### INSPIRATION

Celebrating the connection of industry and art, Henry transitions effortlessly between modern, traditional, and classic settings. These iconic fittings blend 19th-century industrial and artistic references for a look that's forever of the moment—familiar yet wholly original.

### CODES & STANDARDS

HKM711X, NSF/ANSI/CAN 61:Q < 1, NSF/ANSI/CAN 372, ASME A112.18.1/CSA B125.1

### PRODUCT FEATURES

Features Lever Handle

Stocked In Chrome, Nickel, Brass and Dark Nickel

Pull-down sprayhead with dual function, allows the user to switch between aerated stream and jet spray

### CERTIFICATIONS

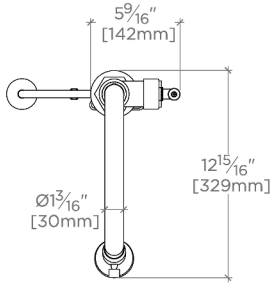


### PRODUCT (NOTES)

## Henry

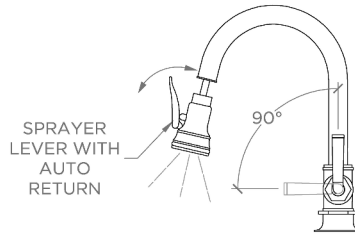
HKM711

Henry Gooseneck Integrated Pull Spray Kitchen Faucet with Lever Handle



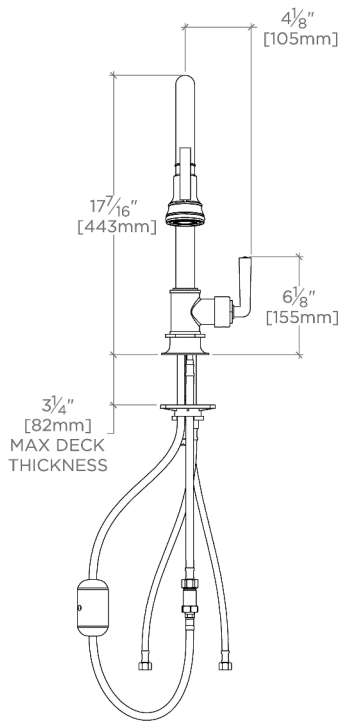
TOP VIEW

SCALE: 1"=1'-0"



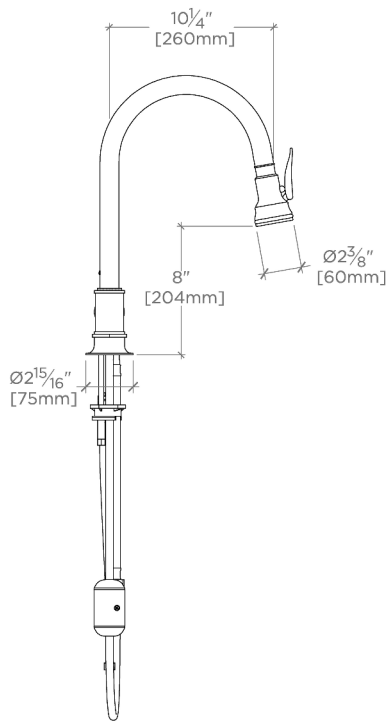
SPRAY AND HANDLE OPERATION

SCALE: 1"=1'-0"



FRONT VIEW

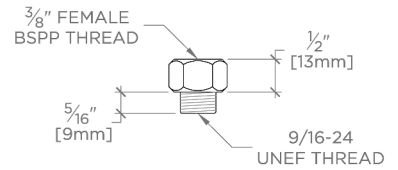
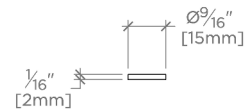
SCALE: 1"=1'-0"



SIDE VIEW

SCALE: 1"=1'-0"

NOTE:  
ADAPTER AND GASKET (x2) INCLUDED -  
INTERNATIONAL USE ONLY



ADAPTER

NOT TO SCALE