

Bond

BTH420

Bond Solo Series Integrated Thermostatic and Two Way Diverter Trim with Knob and Straight Lever Handles



SHOWN IN BOND SOLO SERIES INTEGRATED THERMOSTATIC AND TWO WAY DIVERTER TRIM WITH KNOB AND STRAIGHT LEVER HANDLES | BTH420

TECHNICAL DETAILS

ADA Compliance: Yes
 Integrated Diverter: Y
 Number Of Holes: Two Hole
 Primary Material: Brass

INSPIRATION

Bond draws inspiration from the Aesthetic Movement, rare vintage lighters, and modern industrial design. The result is a contemporary collection with a soulful quality that inhabits the full range of modern style, from austere minimalism to warm contemporary.

CODES & STANDARDS

ASME A112.18.1/CSA B125.1, State of MA

PRODUCT FEATURES

Knob and Lever Handles

Allows bather to adjust temperature of all waterway outlets with a hot limit safety stop providing anti-scald protection

Stocked in Chrome, Nickel, Brass and Dark Nickel

Requires valve rough sold separately

CERTIFICATIONS



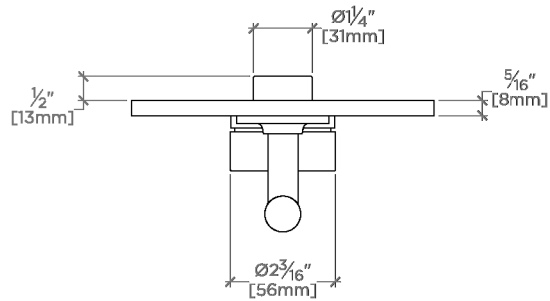
PRODUCT (NOTES)

WATERWORKS

Bond

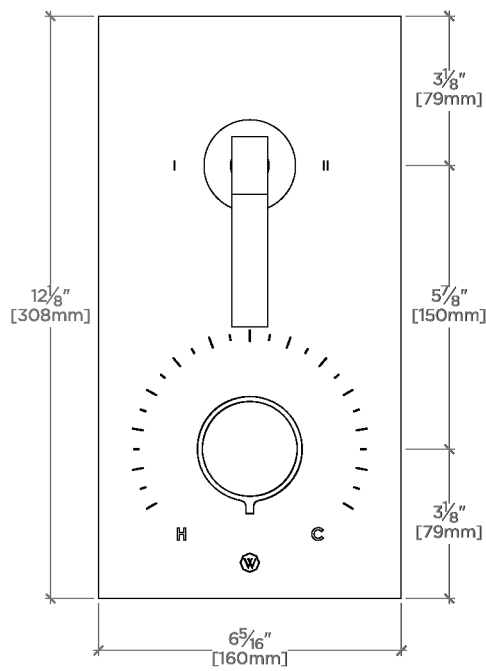
BTH420

Bond Solo Series Integrated Thermostatic and Two Way Diverter Trim with Knob and Straight Lever Handles



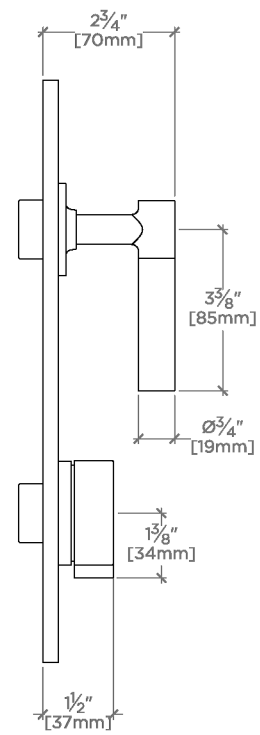
TOP VIEW

SCALE: 3"=1'-0"



FRONT VIEW

SCALE: 3"=1'-0"



SIDE VIEW

SCALE: 3"=1'-0"