

Ludlow

LDTS85

Ludlow Volta Wall Mounted Tub Spout



SHOWN IN LUDLOW VOLTA WALL MOUNTED TUB SPOUT | LDTS85

TECHNICAL DETAILS

Fittings Hole Diameter: 32 mm
Inlet Connection Size: 1/2"
Inlet Connection Type: Female NPT
Integrated Diverter: N
Integrated Spray: N
Number Of Holes: One Hole
Pivot: N
Primary Material: Brass
Spout Swivel: N
Spray Included In Unit: N
Water Pressure Maximum: 6.0 bar
Water Pressure Minimum: 1.5 bar
Water Pressure Recommended: 3.0 bar

INSPIRATION

Our fresh take on American industrial design comes in three styles, each of them clean-lined, and distinct to Waterworks.

CODES & STANDARDS

ASME A112.18.1/CSA B125.1, State of MA

PRODUCT FEATURES

Wall Mounted

BSPP Threaded adapter included for international plumbing installations.

Stocked in a Chrome, Nickel and Brass

Unrestricted flow

CERTIFICATIONS

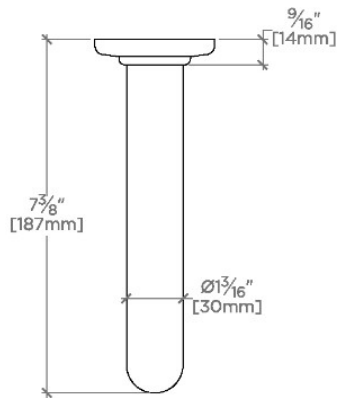


PRODUCT (NOTES)

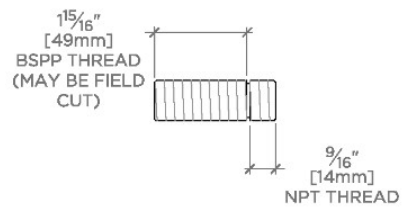
Ludlow

LDTS85

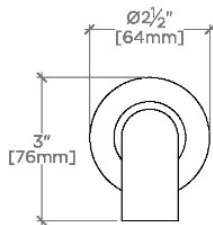
Ludlow Volta Wall Mounted Tub Spout



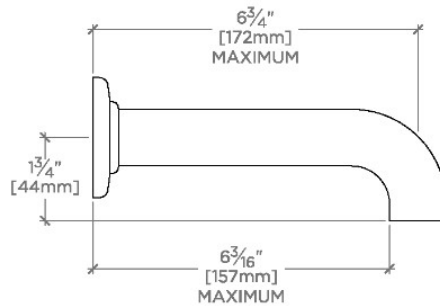
TOP VIEW SCALE: 3"=1'-0"



ADAPTER INCLUDED - INTERNATIONAL USE ONLY



FRONT VIEW SCALE: 3"=1'-0"



SIDE VIEW SCALE: 3"=1'-0"