

DASH

DSXS70

Dash Exposed Thermostatic Shower System with 8" Shower Head, Handshower, Metal Lever Diverter Handle, Metal Lever and Cross



SHOWN IN DASH EXPOSED THERMOSTATIC SHOWER SYSTEM WITH 8" SHOWER HEAD, HANDSHOWER, METAL LEVER

TECHNICAL DETAILS

Adjustable versus Fixed Spray: Fixed Spray
 Diameter of Head: 197 mm
 Diameter of Legs / Tubes: 29 mm
 Escutcheon Primary Material: Brass
 Fittings Hole Diameter: 29 mm
 Flow Restriction Options: Shower Head: 2.5, 2.0, 1.75, 1.5 and
 Handshower: 2.5, 2.2, 2.0, 1.75, 1.5, 1.2, 0.92
 Handle Spread Maximum: 144 mm
 Handle Spread Minimum: 144 mm
 Handle Turn Angle: Quarter Turn
 Handshower / Spray Hose Length: 1.5 m
 Inlet Connection Size: 3/4"
 Inlet Connection Type: Copper Compression
 Inlet Supply Spread Maximum: 295 mm
 Inlet Supply Spread Minimum: 283 mm
 Installation Type: Wall Mounted
 Integrated Diverter: Y
 Integrated Spray: N
 Number of Handles: Three
 Number of Holes: Two Hole
 Pivot: Y
 Primary Material: Brass
 Spray Included in Unit: Y
 Suggested Application: Bath
 Valve Material: Wax Element
 Water Pressure Maximum: 6.0 bar
 Water Pressure Minimum: 1.5 bar
 Water Pressure Recommended: 3.0 bar

INSPIRATION

A blend of art and function, Dash pays homage to design elements of the 1930s with pared-down shapes, softened curves and minimal details.

PRODUCT FEATURES

Features an integrated thermostatic shut-off valve

The Shower Riser is designed to be field cut to accommodate varying shower heights

The Exposed diverter body can be installed with the handshower elbow on the right or the left

Stocked in Nickel, Chrome, Unlacquered Brass, and Matte Nickel finishes

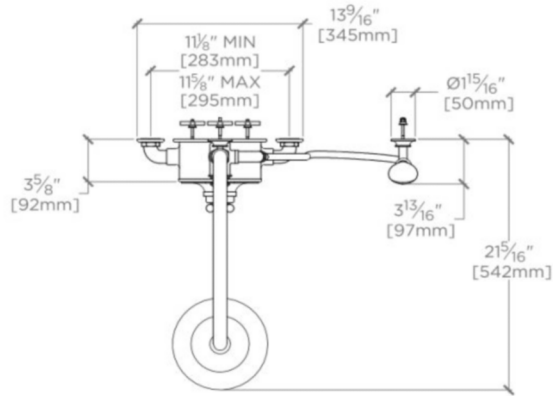
Standard flow rate is 2.5gpm (9.5 L/min). Also available in high efficient flow options. Contact your sales associate or call 1 (800) 899-6757 for details.

WATERWORKS

DASH

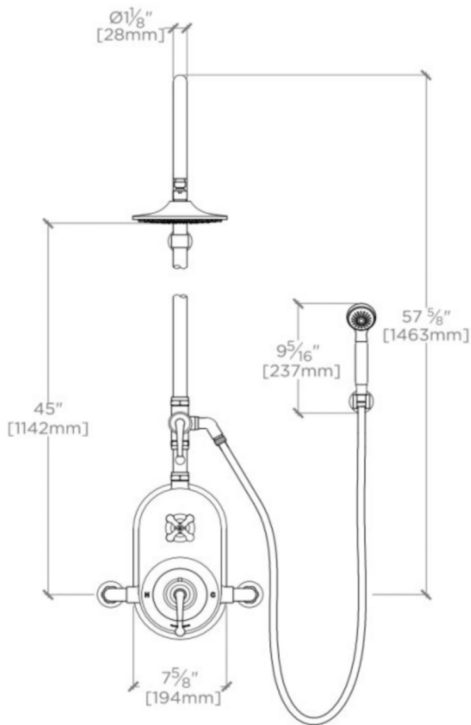
DSXS70

Dash Exposed Thermostatic Shower System with 8" Shower Head, Handshower, Metal Lever Diverter Handle, Metal Lever and Cross



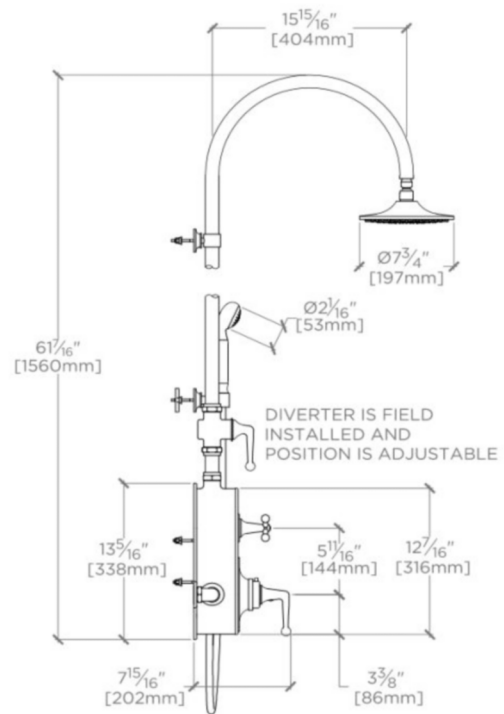
TOP VIEW

SCALE: 3/4"=1'-0"



FRONT VIEW

SCALE: 3/4"=1'-0"



SIDE VIEW

SCALE: 3/4"=1'-0"