

JULIA

Julia Handshower On Bar with White Porcelain Handle

JU02HS



SHOWN IN JULIA HANDSHOWER ON BAR WITH WHITE PORCELAIN HANDLE| JUHS02

TECHNICAL DETAILS

ADA Compliance: Yes
Adjustable versus Fixed Spray: Fixed Spray
Diameter of Head: 76 mm
Escutcheon Primary Material: Brass
Flow Restriction Options: 2.0, 1.75, 1.5, 0.92
Handshower / Spray Hose Length: 1.5 m
Depth / Width: 197 mm
Height: 657 mm
Inlet Connection Size: 1/2"
Inlet Connection Type: Male G/BSPP
Installation Type: Wall Mounted
Integrated Diverter: N
Length: 197 mm
Pivot: Y
Primary Material: Brass
Restricted Maximum Flow Rate: 9.5 liters/min
Suggested Application: Bath
Water Pressure Maximum: 5.5 bar
Water Pressure Minimum: 1.5 bar
Water Pressure Recommended: 3.0 bar

INSPIRATION

An interpretation of 1920s French country, Julia speaks to decoration and intricate design displayed through beautifully composed turnings. These details embody the robust, signature high profile spout enabling Julia to transition fluidly from informal to formal environments.

CODES & STANDARDS

Code # : ASME A112.18.1 / CSA B125.1, State of MA

PRODUCT FEATURES

A handshower easily glides up and down the bar and includes a pivoting mechanism, making it a unique solution for baths with multiple users.

Available with metal, wood or porcelain handle materials with made-to-order materials including porcelain and semiprecious stones.

Removable face for easy maintenance

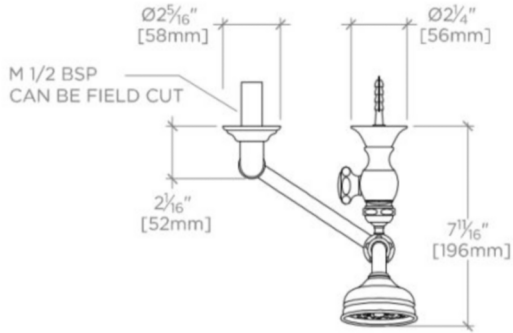
Standard flow rate is 2.5gpm (9.5 L/min). Also available in high efficiency flow options. Contact your sales associate or call 1 (800) 899-6757 for details.

WATERWORKS

JULIA

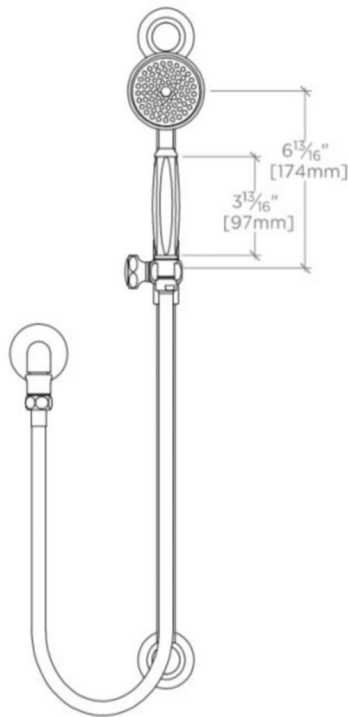
JU02HS

Julia Handshower On Bar with White Porcelain Handle

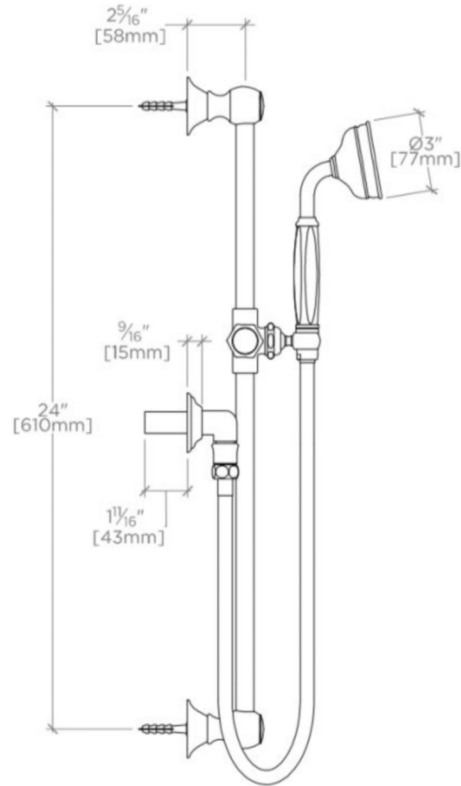


TOP VIEW SCALE: 1 1/2"=1'-0"

ADAPTER(S) PACKAGED SEPARATELY		
ADAPTER	DESCRIPTION	QTY
UNUK04	1/2" NPT Male x 1/2" Male Nipple 50mm Long BSP	1



FRONT VIEW SCALE: 1 1/2"=1'-0"



SIDE VIEW SCALE: 1 1/2"=1'-0"