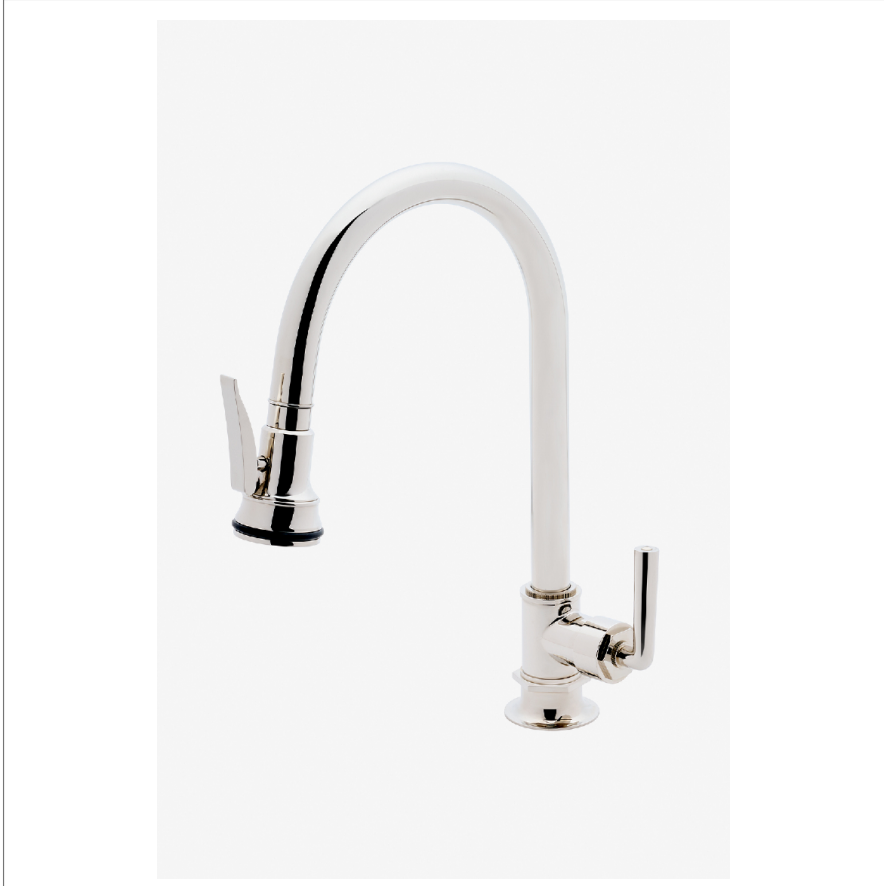


HENRY

HKM711

Henry Gooseneck Integrated Pull Spray Kitchen Faucet with Lever Handle



SHOWN IN HENRY GOOSENECK INTEGRATED PULL SPRAY KITCHEN FAUCET WITH LEVER HANDLE | HKM711

TECHNICAL DETAILS

ADA Compliance: Yes
Adjustable Versus Fixed Spray: Adjustable Spray
Deck Thickness Maximum: 3 1/8"
Fittings Hole Diameter: 1 1/2"
Handle Turn Angle: Quarter Turn
Handshower Spray Hose Length: 59"
Inlet Connection Size: 3/8"
Inlet Connection Type: Compression Connection Hoses
Restricted Maximum Flow Rate: 1.75 gpm
Spout Swivel: Y
Spray Included In Unit: Y
Valve Material: Brass and Ceramic
Water Pressure Maximum: 85.0 psi
Water Pressure Minimum: 20.0 psi
Water Pressure Recommended: 45.0 psi

INSPIRATION

Celebrating the connection of industry and art, Henry transitions effortlessly between modern, traditional, and classic settings. These iconic fittings blend 19th-century industrial and artistic references for a look that's forever of the moment—familiar yet wholly original.

CODES & STANDARDS

HKM711X, NSF/ANSI/CAN 61:Q < 1, NSF/ANSI/CAN 372, ASME A112.18.1/CSA B125.1

PRODUCT FEATURES

Features Lever Handle

Stocked In Chrome, Nickel, Brass and Dark Nickel

Pull-down sprayhead with dual function, allows the user to switch between aerated stream and jet spray

CERTIFICATIONS



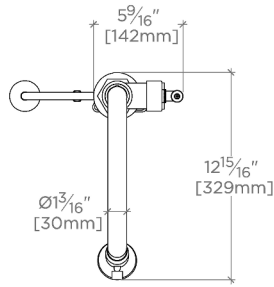
PRODUCT (NOTES)

WATERWORKS

HENRY

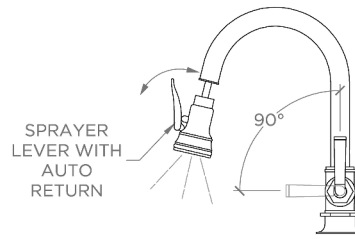
HKM711

Henry Gooseneck Integrated Pull Spray Kitchen Faucet with Lever Handle

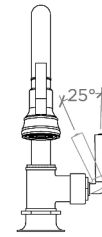


TOP VIEW

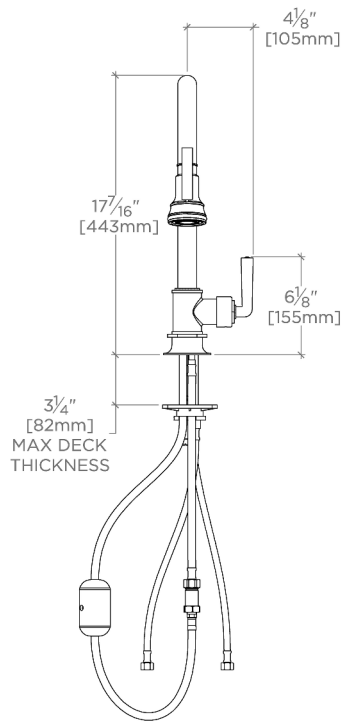
SCALE: 1"=1'-0"



SPRAY AND HANDLE OPERATION

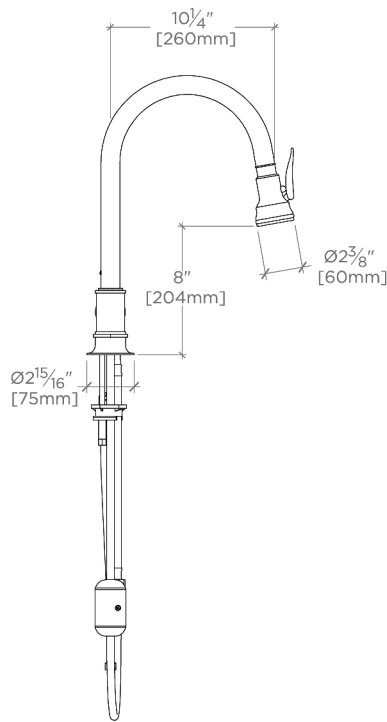


SCALE: 1"=1'-0"



FRONT VIEW

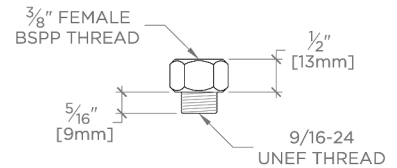
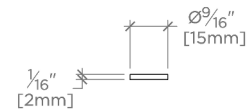
SCALE: 1"=1'-0"



SIDE VIEW

SCALE: 1"=1'-0"

NOTE:
ADAPTER AND GASKET (x2) INCLUDED -
INTERNATIONAL USE ONLY



ADAPTER

NOT TO SCALE