

Ludlow

LDWL22

Ludlow 22" Wall Mounted 90 Degree Shower Arm with Flange



SHOWN IN LUDLOW 22" WALL MOUNTED 90 DEGREE SHOWER ARM WITH FLANGE | LDWL22

TECHNICAL DETAILS

Fittings Hole Diameter: 32 mm
Inlet Connection Size: 1/2"
Inlet Connection Type: Male NPT
Outlet Connection Size: 1/2"
Outlet Connection Type: Male NPT
Water Pressure Recommended: 3.0 bar

INSPIRATION

Our fresh take on American industrial design comes in three styles, each of them clean-lined, and distinct to Waterworks.

CODES & STANDARDS

PRODUCT FEATURES

Compatible with an assortment of Waterworks showerheads, sold separately

Brass Construction

Includes 22" wall mounted 90 degree shower arm

Stocked in Chrome, Nickel and Brass

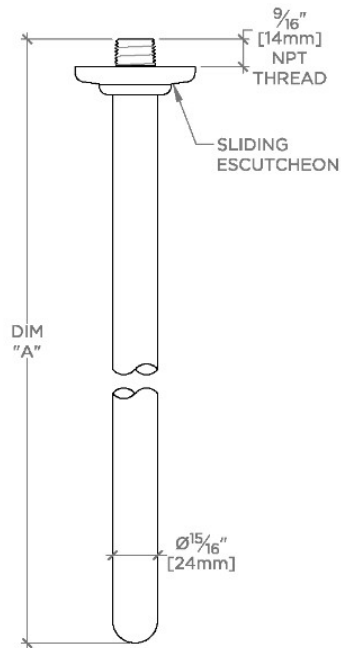
CERTIFICATIONS

PRODUCT (NOTES)

Ludlow

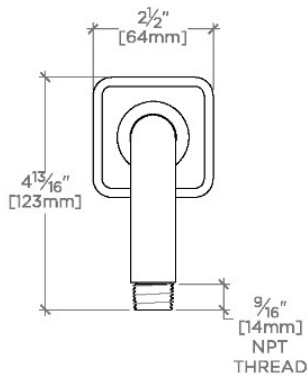
LDWL22

Ludlow 22" Wall Mounted 90 Degree Shower Arm with Flange

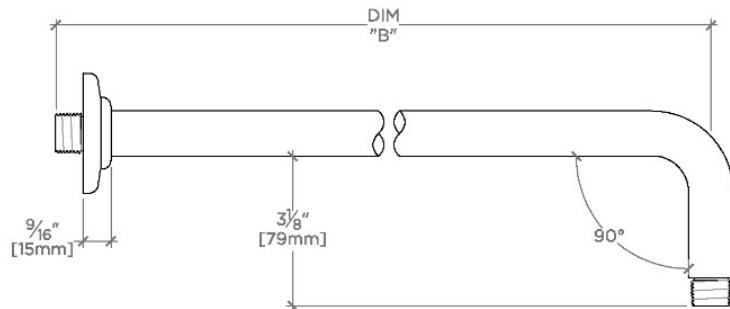


TOP VIEW SCALE: 3"=1'-0"

STYLE NO.	DIM "A"	DIM "B"
LDWL12	$13\frac{1}{16}$ " [331mm]	$12\frac{1}{2}$ " [319mm]
LDWL18	$19\frac{1}{16}$ " [484mm]	$18\frac{1}{2}$ " [472mm]
LDWL22	$23\frac{1}{16}$ " [585mm]	$22\frac{1}{2}$ " [572mm]



FRONT VIEW SCALE: 3"=1'-0"



SIDE VIEW SCALE: 3"=1'-0"