

## DASH

DSXS60

Dash Exposed Thermostatic Shower System with 8" Shower Head, Handshower, Metal Cross Diverter Handle, Metal Lever and Cross



SHOWN IN DASH EXPOSED THERMOSTATIC SHOWER SYSTEM WITH 8" SHOWER HEAD, HANDSHOWER, METAL CROSS

### TECHNICAL DETAILS

Adjustable versus Fixed Spray: Fixed Spray  
 Diameter of Head: 197 mm  
 Diameter of Legs / Tubes: 29 mm  
 Escutcheon Primary Material: Brass  
 Fittings Hole Diameter: 29 mm  
 Flow Restriction Options: Shower Head: 2.5, 2.0, 1.75, 1.5 and  
 Handshower: 2.5, 2.2, 2.0, 1.75, 1.5, 1.2, 0.92  
 Handle Spread Maximum: 144 mm  
 Handle Spread Minimum: 144 mm  
 Handle Turn Angle: Quarter Turn  
 Handshower / Spray Hose Length: 1.5 m  
 Inlet Connection Size: 3/4"  
 Inlet Connection Type: Copper Compression  
 Inlet Supply Spread Maximum: 295 mm  
 Inlet Supply Spread Minimum: 283 mm  
 Installation Type: Wall Mounted  
 Integrated Diverter: Y  
 Integrated Spray: N  
 Number of Handles: Three  
 Number of Holes: Two Hole  
 Pivot: Y  
 Primary Material: Brass  
 Spray Included in Unit: Y  
 Suggested Application: Bath  
 Valve Material: Wax Element  
 Water Pressure Maximum: 6.0 bar  
 Water Pressure Minimum: 1.5 bar  
 Water Pressure Recommended: 3.0 bar

### INSPIRATION

A blend of art and function, Dash pays homage to design elements of the 1930s with pared-down shapes, softened curves and minimal details.

### PRODUCT FEATURES

Features an intergrated thermostatic shut-off valve

The Shower Riser is designed to be field cut to accommodate varying shower heights

The Exposed diverter body can be installed with the handshower elbow on the right or the left

Stocked in Nickel, Chrome, Unlacquered Brass, and Matte Nickel finishes

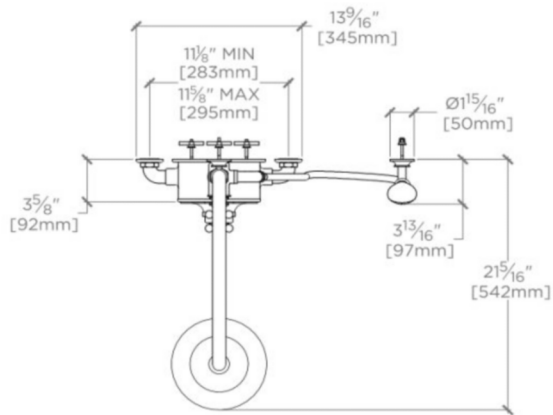
Standard flow rate is 2.5gpm (9.5 L/min). Also available in high efficient flow options. Contact your sales associate or call 1 (800) 899-6757 for details.

# WATERWORKS

## DASH

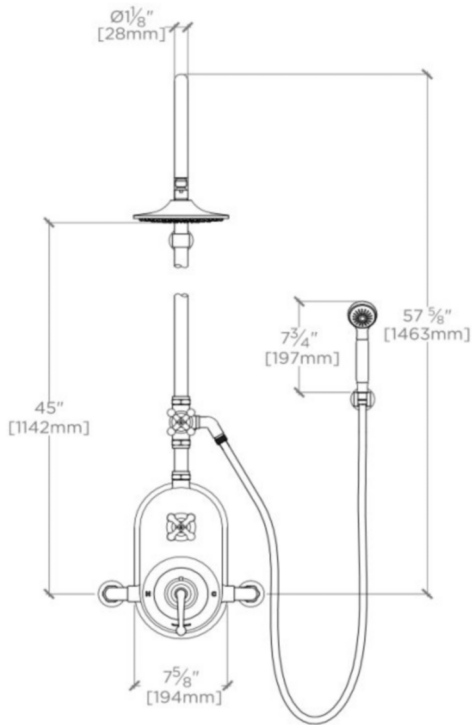
## DSXS60

Dash Exposed Thermostatic Shower System with 8" Shower Head, Handshower, Metal Cross Diverter Handle, Metal Lever and Cross



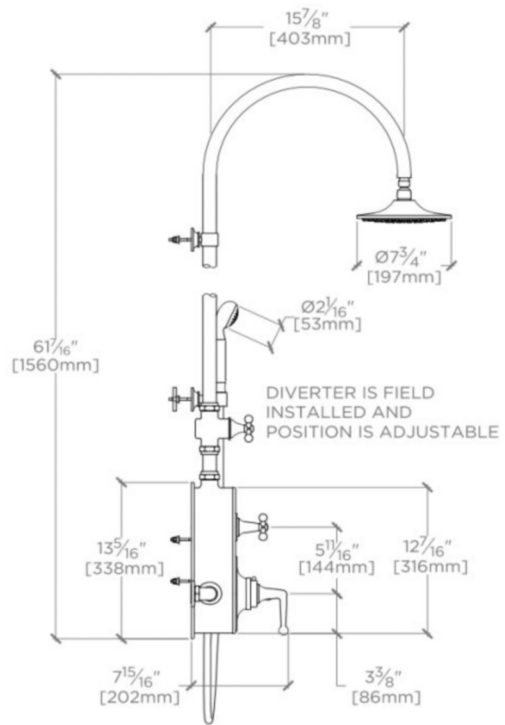
TOP VIEW

SCALE: 3/4"=1'-0"



FRONT VIEW

SCALE: 3/4"=1'-0"



SIDE VIEW

SCALE: 3/4"=1'-0"