

SANTRY

SNBT67

Santry 67" x 31" x 22" Freestanding Cast Iron Oval Bathtub



SHOWN IN SANTRY 67" X 31" X 22" FREESTANDING CAST IRON OVAL BATHTUB | SNBT67

TECHNICAL DETAILS

ADA Compliance: No
Bathing Type: Bathing and Soaking
Bathing Well Sitting Angle: 110 degree_angle
Depth To Overflow: 13 3/8"
Depth/Width: 31 1/8"
Drain Hole Depth: 1 1/4"
Drain Hole Diameter: 2"
Height: 22"
Installation Type: Freestanding
Item Weight Filled: 807.0 pounds
Length: 67"
Overflow Opening: Yes
Primary Material: Cast Iron

INSPIRATION

With its pedestal base and low profile, this cast iron bathtub is as classic as it gets. Freestanding and double-ended with a center drain and a continuous rolled rim, it brings a new level of smooth, clean design to the bath, while the exterior is painted a durable, glossy white for lasting beauty.

CODES & STANDARDS

PRODUCT FEATURES

Double ended tub and center drain location

White Enamel Interior, Gloss White Painted Exterior

Required Drain: UNWO10

CERTIFICATIONS

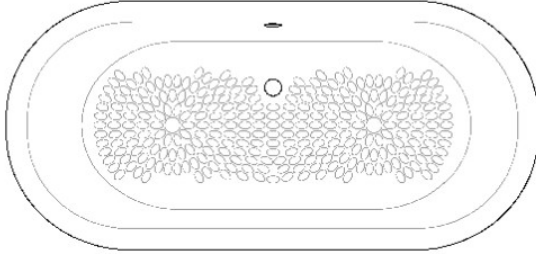
PRODUCT (NOTES)

WATERWORKS

SANTRY

SNBT67

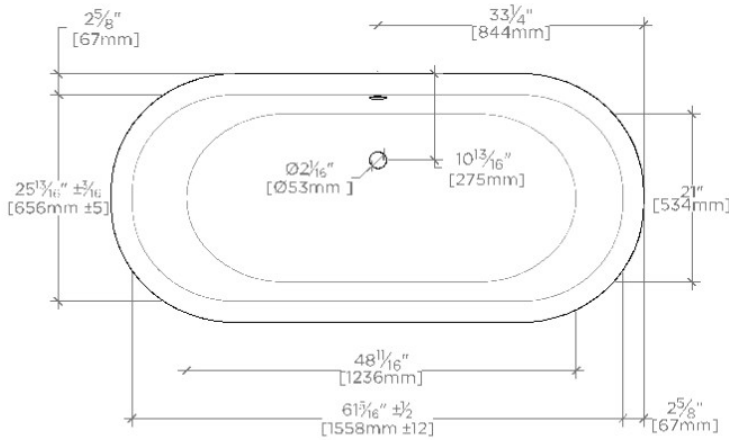
Santry 67" x 31" x 22" Freestanding Cast Iron Oval Bathtub



Dimensional Tolerance	
> 7/8" [200mm]	±0.8%
< 7/8" [200mm]	±1.8%

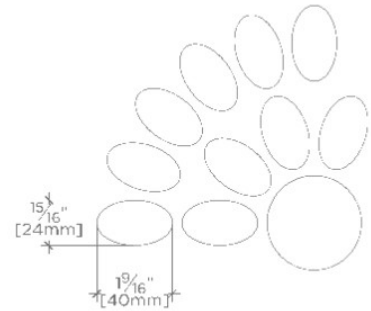
OPTIONAL SLIP RESISTANCE

SCALE: 1/2"=1'-0"



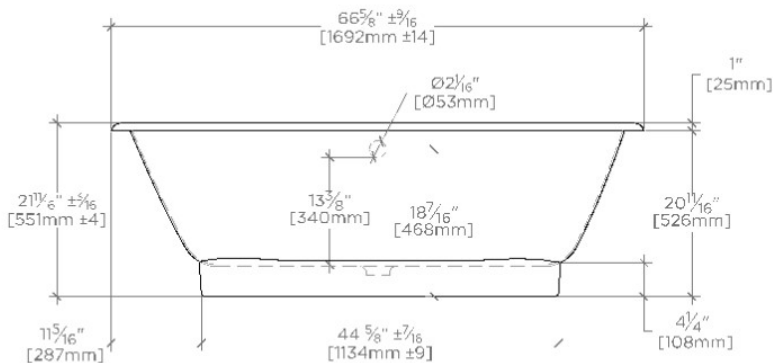
TOP VIEW

SCALE: 1/2"=1'-0"



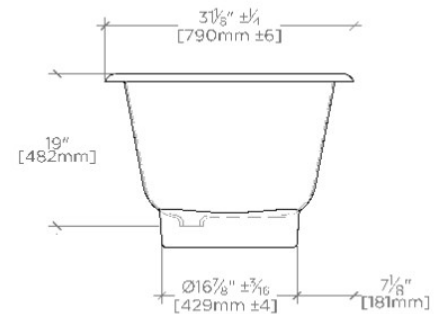
SLIP RESISTANCE PATTERN

SCALE: 3"=1'-0"



SIDE VIEW

SCALE: 1/2"=1'-0"



END VIEW

SCALE: 1/2"=1'-0"