

Henry

HTH402

Henry Integrated Thermostatic and Two Way Diverter Trim with Two Tone Cross Handles



SHOWN IN HENRY INTEGRATED THERMOSTATIC AND TWO WAY DIVERTER TRIM WITH TWO TONE CROSS HANDLES | HTH402

TECHNICAL DETAILS

ADA Compliance: Yes
 Fittings Hole Diameter: 64 mm
 Integrated Diverter: Y
 Number Of Holes: Two Hole
 Primary Material: Brass

INSPIRATION

Celebrating the connection of industry and art, Henry transitions effortlessly between modern, traditional, and classic settings. These iconic fittings blend 19th-century industrial and artistic references for a look that's forever of the moment—familiar yet wholly original.

CODES & STANDARDS

ASME A112.18.1/CSA B125.1, State of MA

PRODUCT FEATURES

Two-Tone Cross Handles

Allows bather to adjust temperature of all waterway outlets with a hot limit safety stop providing anti-scald protection

Stocked in Brass/Dark Nickel and Nickel/Dark Nickel

Requires valve rough sold separately

CERTIFICATIONS

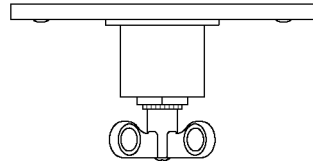


PRODUCT (NOTES)

Henry

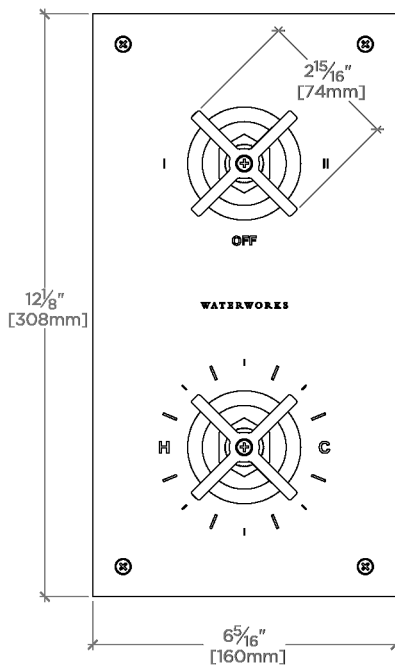
HTH402

Henry Integrated Thermostatic and Two Way Diverter Trim
with Two Tone Cross Handles



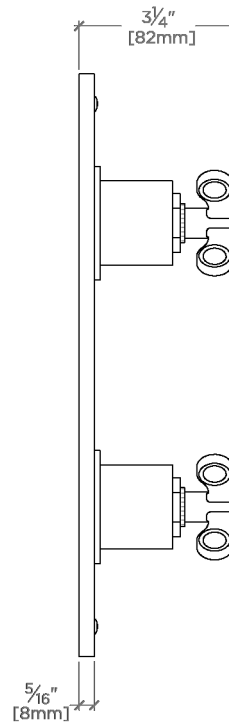
TOP VIEW

SCALE: 3"=1'-0"



FRONT VIEW

SCALE: 3"=1'-0"



SIDE VIEW

SCALE: 3"=1'-0"