

JULIA

JULS10

Julia Deck Mounted Marquee Lavatory Faucet with Metal Lever Handles



SHOWN IN JULIA DECK MOUNTED MARQUEE LAVATORY FAUCET WITH METAL LEVER HANDLES | JULS10

TECHNICAL DETAILS

Restricted Maximum Flow Rate: 4.5 liters/min

INSPIRATION

An interpretation of 1920s French country, Julia speaks to decoration and intricate design displayed through beautifully composed turnings. These details embody the robust, signature high profile spout enabling Julia to transition fluidly from informal to formal environments.

PRODUCT FEATURES

Metal lever handles

Includes European size pop up drain

Stocked in Chrome, Nickel, Matte Nickel, and Unlacquered Brass

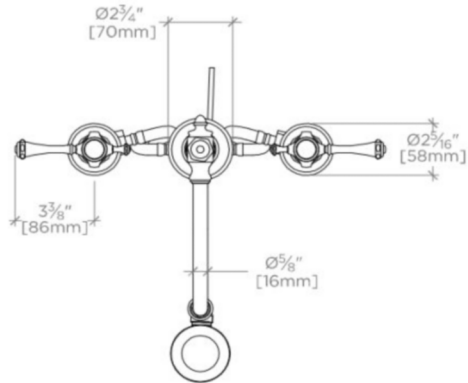
Available in 1.2gpm (4.5L/min) flow rate

WATERWORKS

JULIA

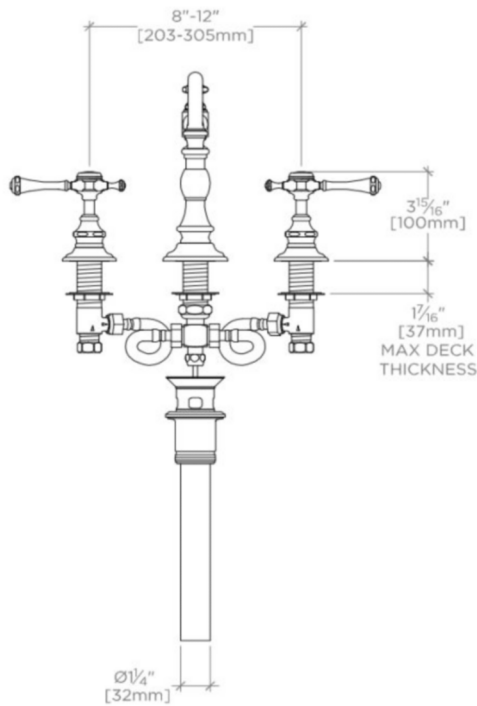
JULS10

Julia Deck Mounted Marquee Lavatory Faucet with Metal Lever Handles



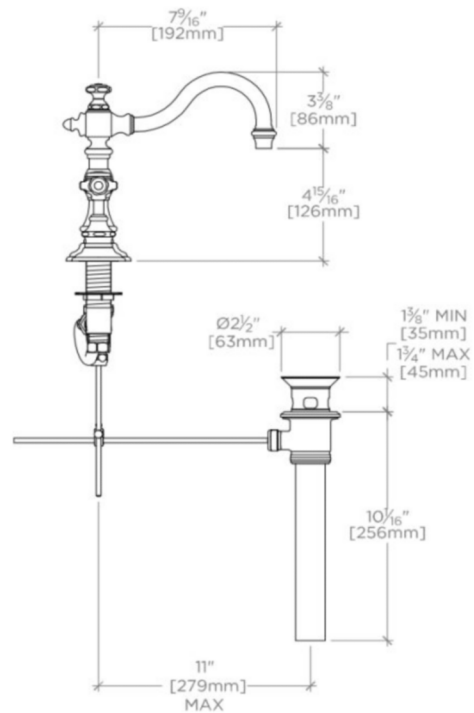
TOP VIEW

SCALE: $1\frac{1}{2}"=1'-0"$



FRONT VIEW

SCALE: $1\frac{1}{2}"=1'-0"$



SIDE VIEW

SCALE: $1\frac{1}{2}"=1'-0"$