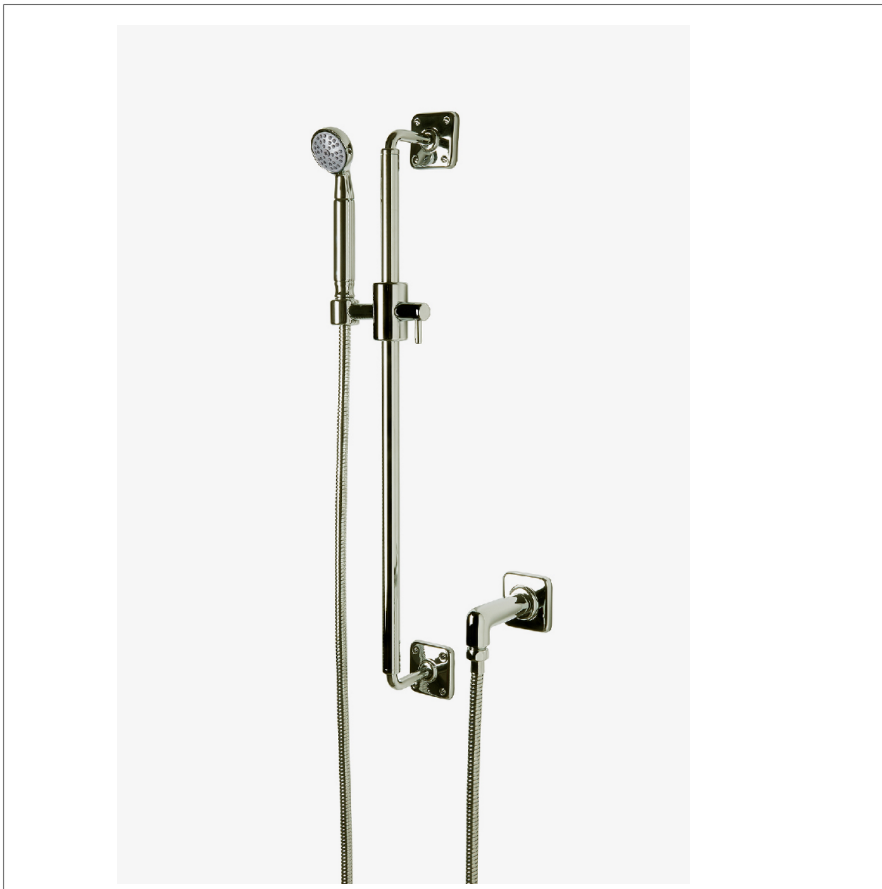


Ludlow

LDHS10

Ludlow Handshower On Bar



SHOWN IN LUDLOW HANDSHOWER ON BAR | LDHS10

TECHNICAL DETAILS

ADA Compliance: When installed per ADA guidelines
 Adjustable Versus Fixed Spray: Fixed Spray
 Depth/Width: 105 mm
 Diameter Of Head: 52 mm
 Escutcheon Primary Material: Brass
 Fittings Hole Diameter: 35 mm
 Flow Restriction Options: 1.75
 Handshower Spray Hose Length: 1.5 m
 Height: 673 mm
 Inlet Connection Size: 1/2"
 Inlet Connection Type: Female NPT
 Installation Type: Wall Mounted
 Integrated Diverter: N
 Pivot: Y
 Primary Material: Brass
 Suggested Application: Bath
 Water Pressure Maximum: 6.0 bar
 Water Pressure Minimum: 1.5 bar
 Water Pressure Recommended: 3.0 bar

INSPIRATION

Our fresh take on American industrial design features comes in two styles, each of them clean-lined, versatile and unique to Waterworks. Choose from original Ludlow, featuring a square plate and exposed screws, and Ludlow Volta, with a round escutcheon for a softer, more transitional feel.

CODES & STANDARDS

LDHS10X, ASME A112.18.1/CSA B125.1,
 WaterSense(1.5gpm and 1.75gpm Only), Waterworks
 Handshowers use check valves compliant to ASME
 A112.18.3 for backflow protection. CEC, State of MA

PRODUCT FEATURES

Handshower design features metal handle with round spray pattern, a 2" Head, Rubber Nozzles for easy clean & drip reduction system
 24" Bar with adjustable slider offers flexible installation for handshower to be positioned on right or left side of bar, at any height along length of mounting bar
 BSPP Threaded Adapter included for International Plumbing Installations.

Stocked in a Chrome, Nickel and Brass

Available in 1.75gpm (6.6L/min) flow rate

CERTIFICATIONS



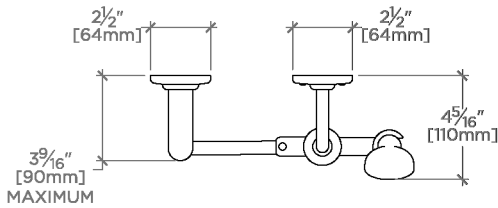
PRODUCT (NOTES)

WATERWORKS

Ludlow

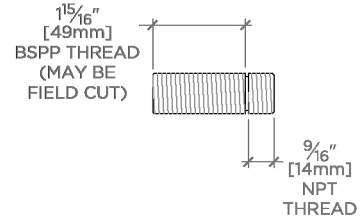
LDHS10

Ludlow Handshower On Bar

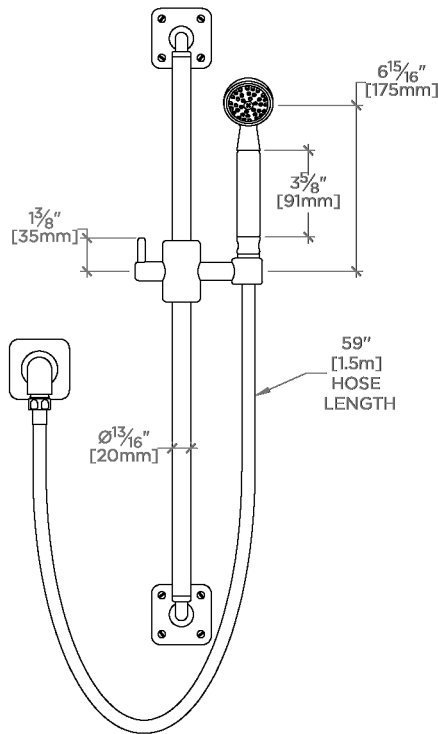


TOP VIEW

SCALE: 1/2"=1'-0"

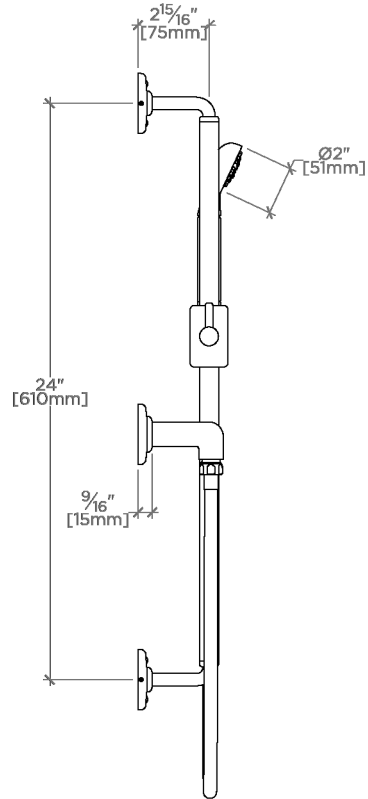


ADAPTER INCLUDED - INTERNATIONAL USE ONLY



FRONT VIEW

SCALE: 1/2"=1'-0"



SIDE VIEW

SCALE: 1/2"=1'-0"