

DURHAM

DUBT6L

Durham II 60" x 32" x 18" Apron Acrylic Bathtub with Left Hand Drain



TECHNICAL DETAILS

ADA Compliance: When installed per ADA guidelines
Depth to Overflow: 294 mm
Drain Hole Depth: 13 mm
Drain Hole Diameter: 51 mm
Drilling Option: None
Flange Availability: Integrated
Depth / Width: 813 mm
Installation Type: Apron
Length: 1524 mm
Overflow Hole Diameter: 60 mm
Overflow Opening: Yes
Primary Material: Acrylic
Single or Double Ended: Single Ended
Suggested Application: Bath

INSPIRATION

Our apron front Durham tubs will fit any aesthetic in your bathroom.

PRODUCT FEATURES

The bathtub is built of reinforced acrylic with an apron front.
Tub includes an integrated molded tile flange.
Available in Left Hand and Right Hand drain configurations.
Water volume of 62 gallons.
Uses the Universal Pop-Up Waste and Overflow (UNWO51)

PRODUCT (NOTES)

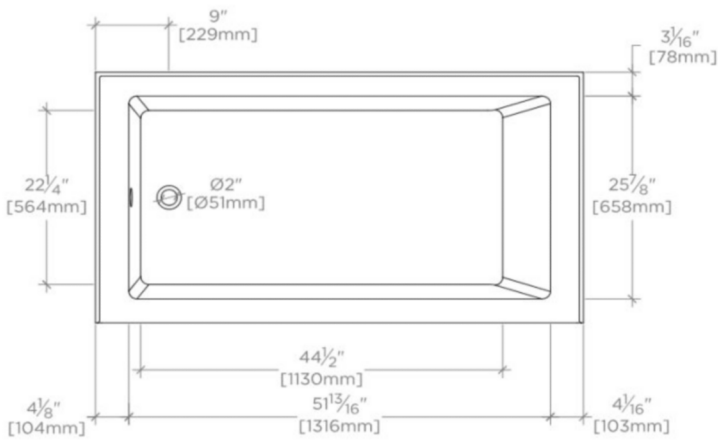
Dimensions of fixtures are nominal. Measure your actual product for rough-in details.

WATERWORKS

DURHAM

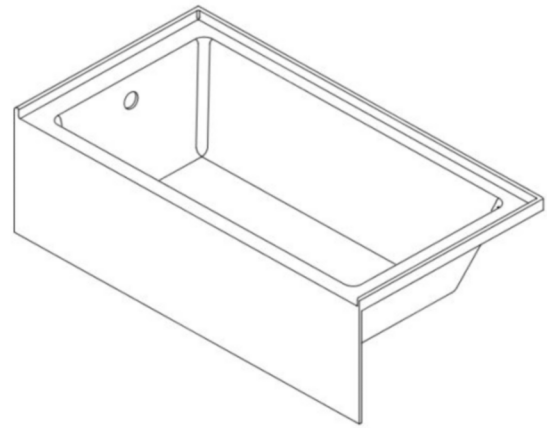
DUBT6L

Durham II 60" x 32" x 18" Apron Acrylic Bathtub with Left Hand Drain



TOP VIEW

SCALE: 1/2"=1'-0"



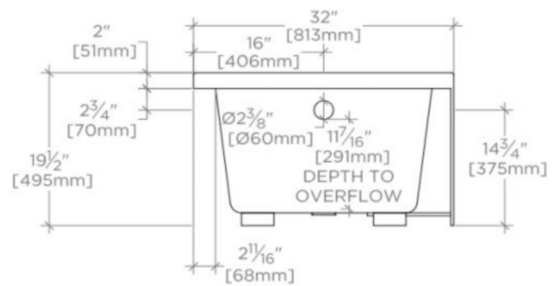
ISO VIEW

SCALE: 1/2"=1'-0"



FRONT VIEW

SCALE: 1/2"=1'-0"



SIDE VIEW

SCALE: 1/2"=1'-0"